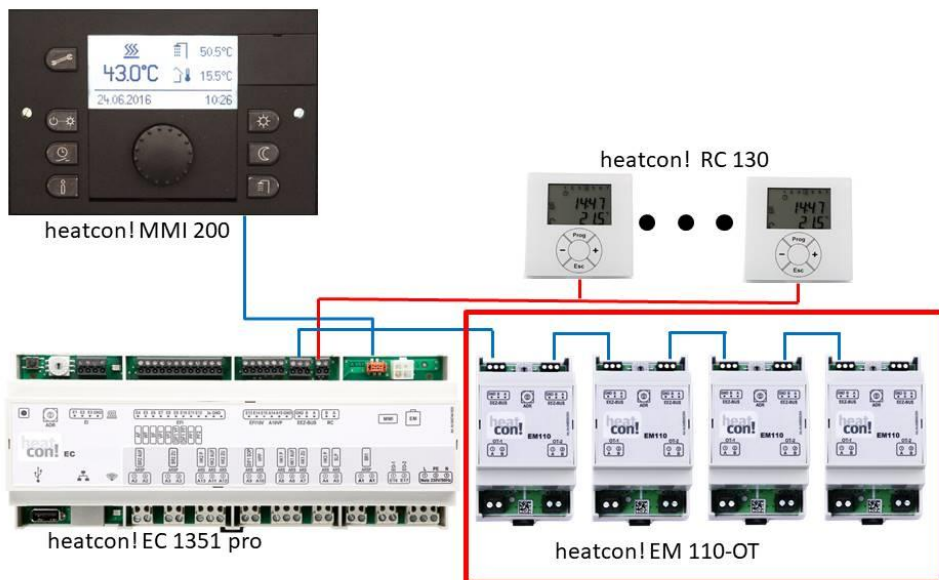


heat con!

Short instruction Extension module

heatcon! EM 110-OT



0450000607-1915

GB Short instruction Extension module heatcon! EM 110-OT

EN Syfety instructions



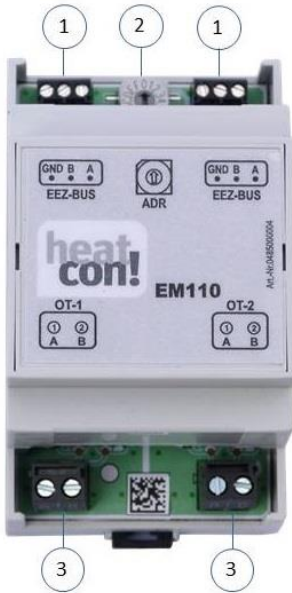
WARNING

Danger due to live parts.

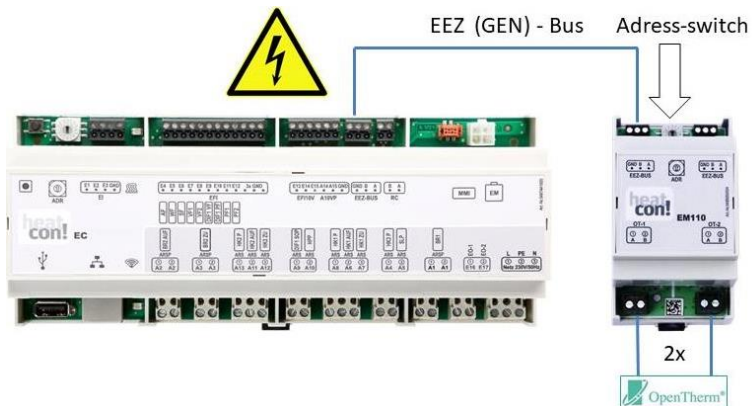
Some components are electrically live. Contact with live parts can result in an electric shock, burns or even death. Before working on the electrical system, observe the following points:

- Switch the system to a zero volts state.
- Secure to prevent switching back on.
- Check for zero volts state.

Connection



- 1 EEZ (GEN) Bus (Energy generator bus 485)
- 2 Address switch
- 3 OpenTherm Bus



Every heatcon! EM 110-OT offers the possibility to connect two OpenTherm machines. On a heatcon! EC 1351pro can connect up to four heatcon! EM 110-OT.

Addressing

The addressing takes place at the heatcon! EM 110-OT.

EC1	Adress 0	OT1 OT2
EC1	Adress 1	OT3 OT4
EC1	Adress 2	OT5 OT6
EC1	Adress 3	OT7 OT8
EC2	Adress 0	OT9 OT10
EC2	Adress 1	OT11 OT12
EC2	Adress 2	OT13 OT14
EC2	Adress 3	OT15 OT16
EC3	Adress 0	OT17 OT18
EC3	Adress 1	OT19 OT20
EC3	Adress 2	OT21 OT22
EC3	Adress 3	OT23 OT24

Technical Data

Installation	Hat rail installation in the energy generator
Connection	EEZ (GEN) – Bus 485 OpenTherm Bus
Connection technology	screw terminal connection
Maximum permissible cable length	50 m
cable cross-section	50 m
Power supply	via heatcon! EC 1351 pro
IP class	0
IP rating	IP00
Ambient conditions	
<ul style="list-style-type: none"> • Storage temperature • Operating temperature 	-25 ... +60 °C -10 ... +50 °C
Screw terminal connection	<ul style="list-style-type: none"> • 2 x Energy generator bus 485 • 2 x OpenTherm Bus
Standards	DIN EN 60730
Dimensions	53 x 90 x 61 mm (length x width x height) with hat rail
Colour	Grey



More information you will find:

<https://ebv-gmbh.eu/downloads/>

EN – Warranty conditions

Improper use, non-observation of these instructions, use of inadequately qualified personnel and independent changes exclude any liability on the part of the manufacturer for the resulting damage. The manufacturer's warranty becomes void.

Impairment of device function if incorrect spare parts are used!

If unauthorised parts are used correct functioning is not assured. Use spare parts authorised by customer service.

EN– Declaration of Conformity

EbV Elektronikbau- und Vertriebs-GmbH assures that the product is produced according to valid EU regulations. A complete version of the Declaration of Conformity can be found in the installation manual at <https://ebv-gmbh.eu/downloads/>

Copyright



© Copyright by
EbV
Elektronikbau- und Vertriebs-GmbH
Heisterner Weg 8-12
D-57299 Burbach
Federal Republic of Germany