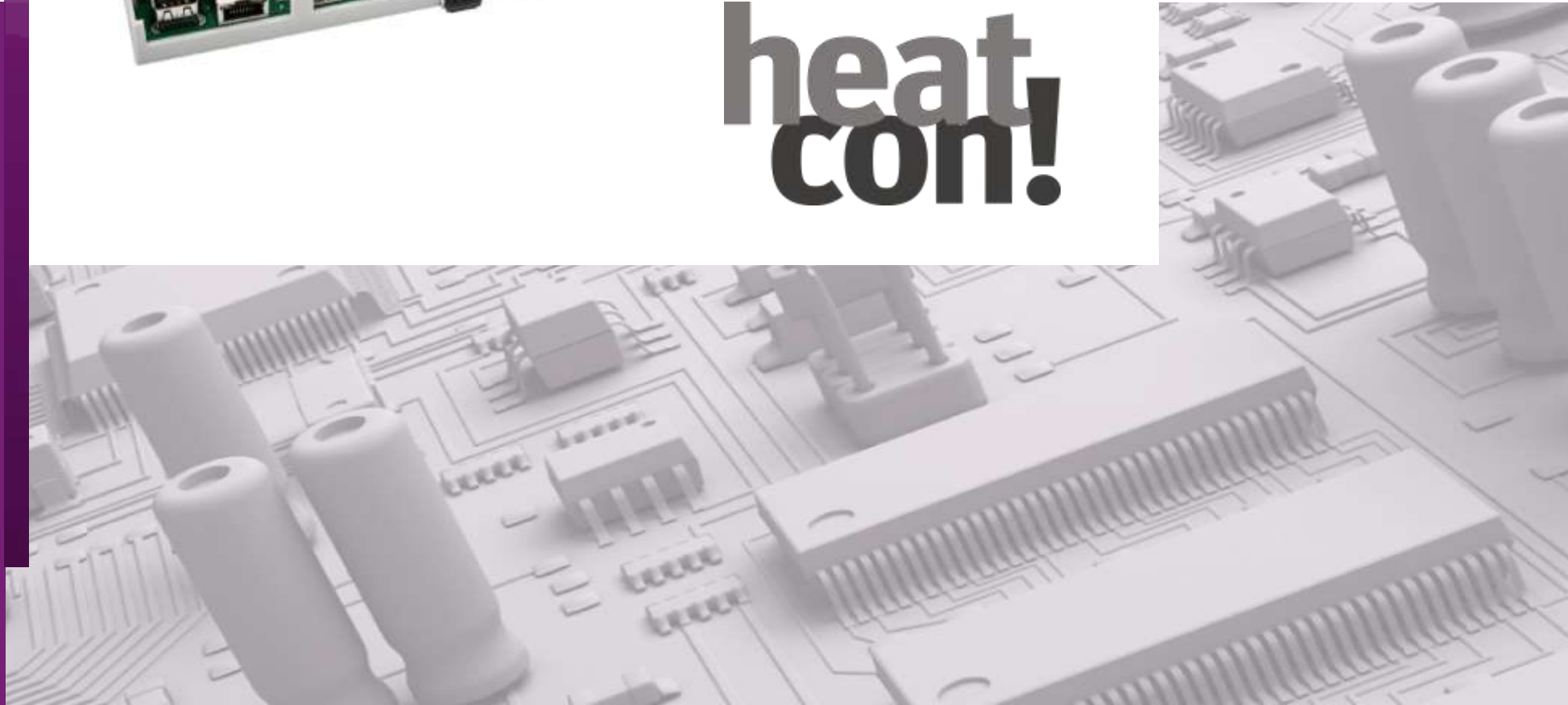


# heatcon! System structure

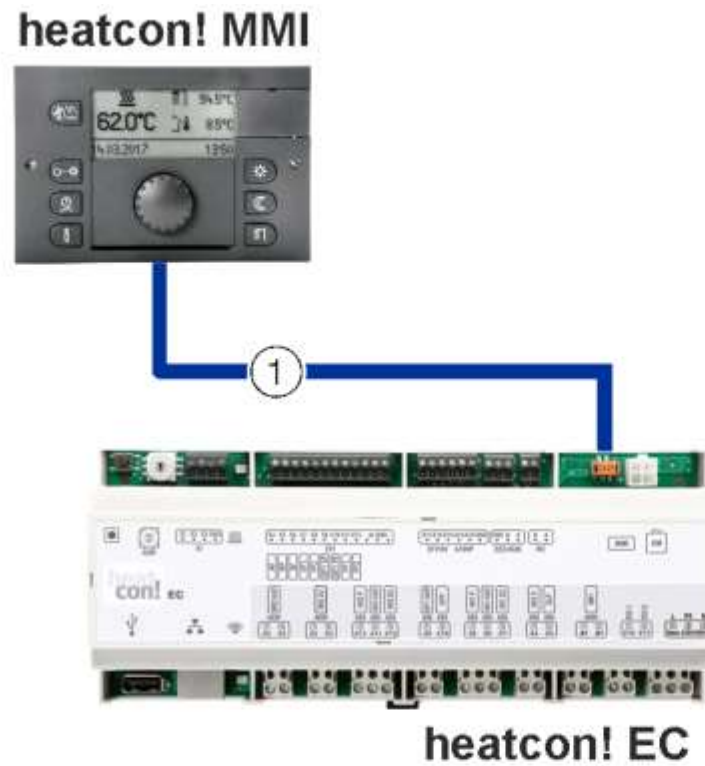
**EbV**  
elektronik



**heat  
con!**



# heatcon! System image



1 EbV-Systembus (Device bus)

# heatcon! System image

heatcon! MMI



1



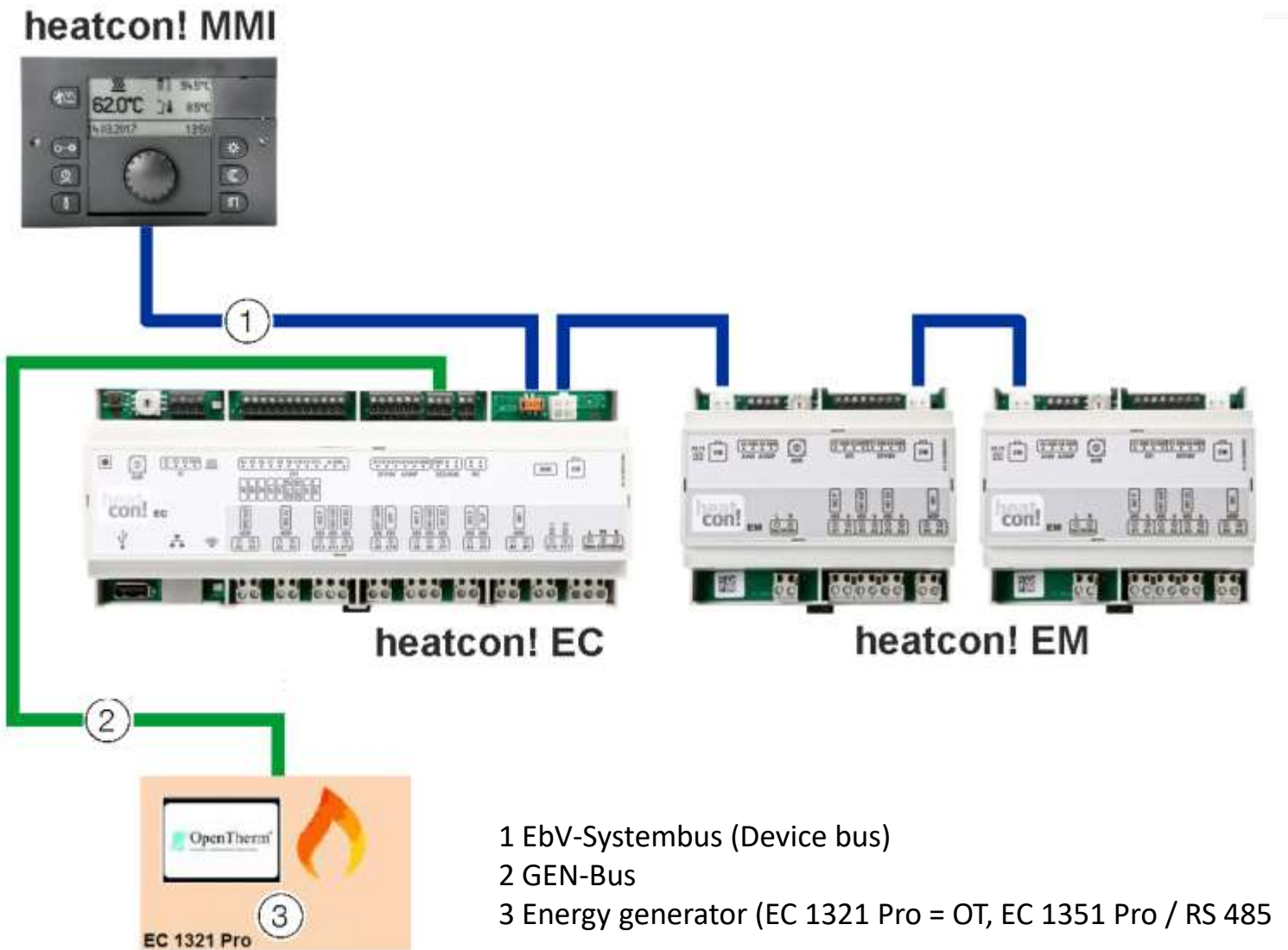
heatcon! EC



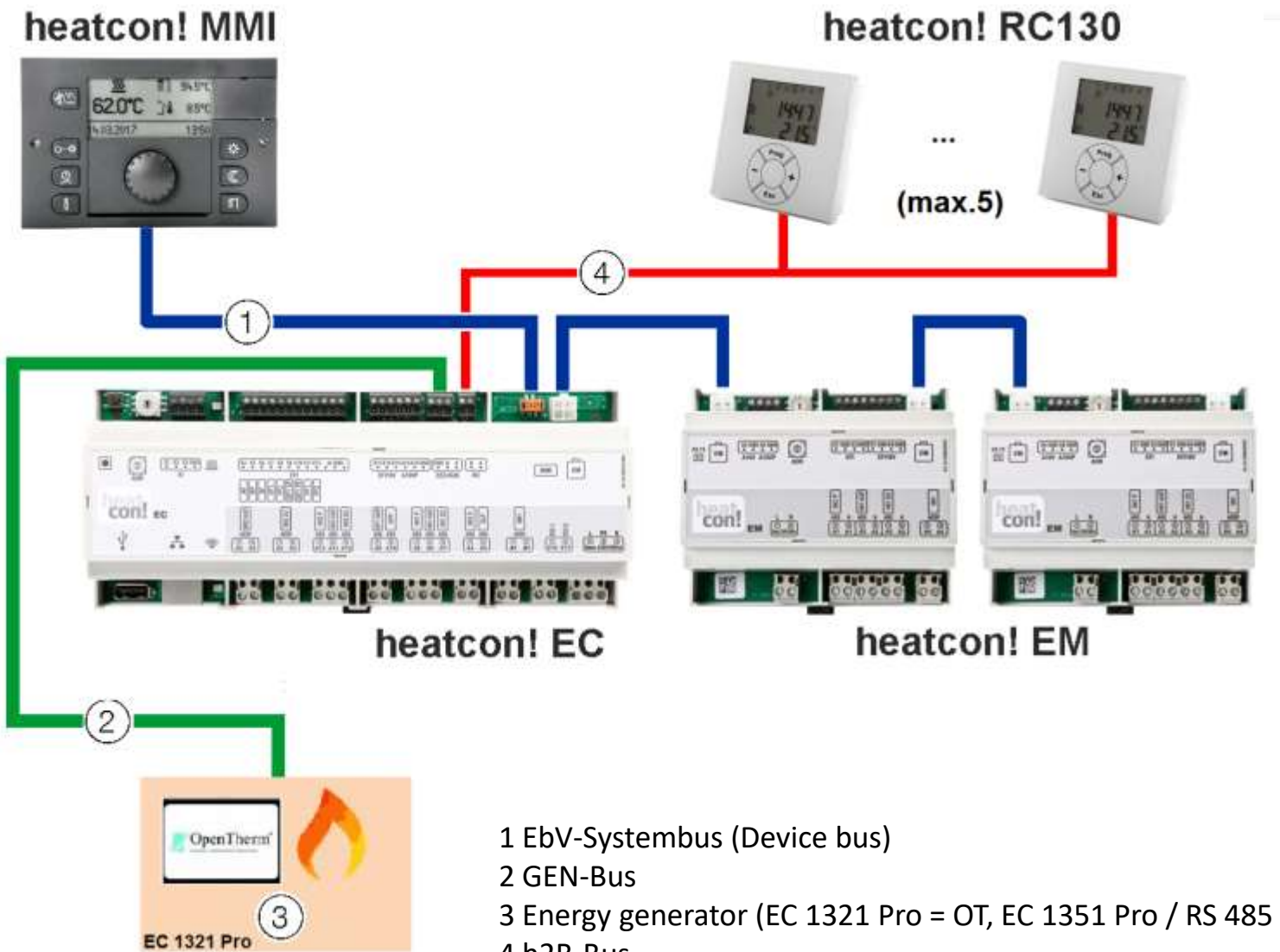
heatcon! EM

1 EbV-Systembus (Device bus)

# heatcon! System image



# heatcon! System image



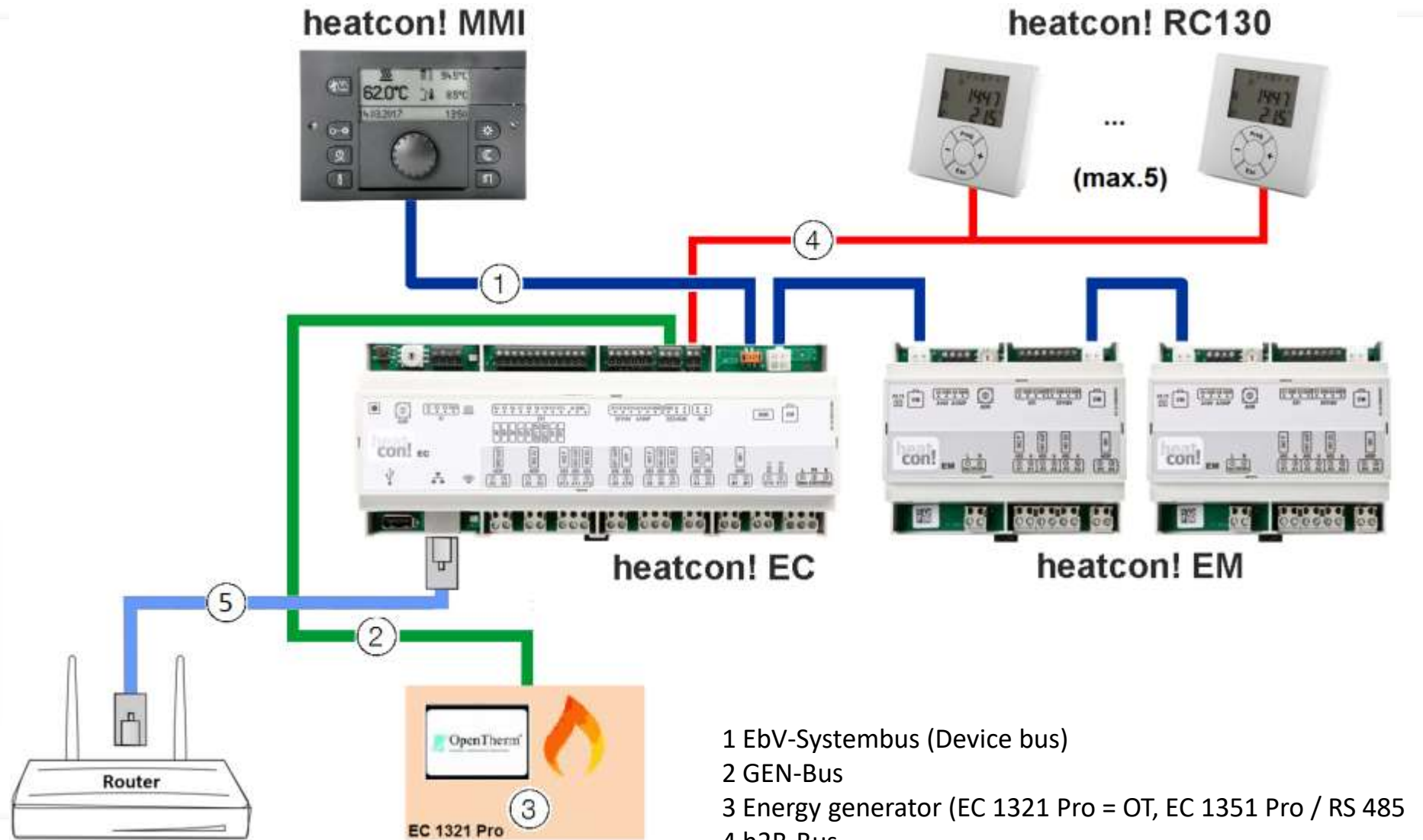
1 EbV-Systembus (Device bus)

2 GEN-Bus

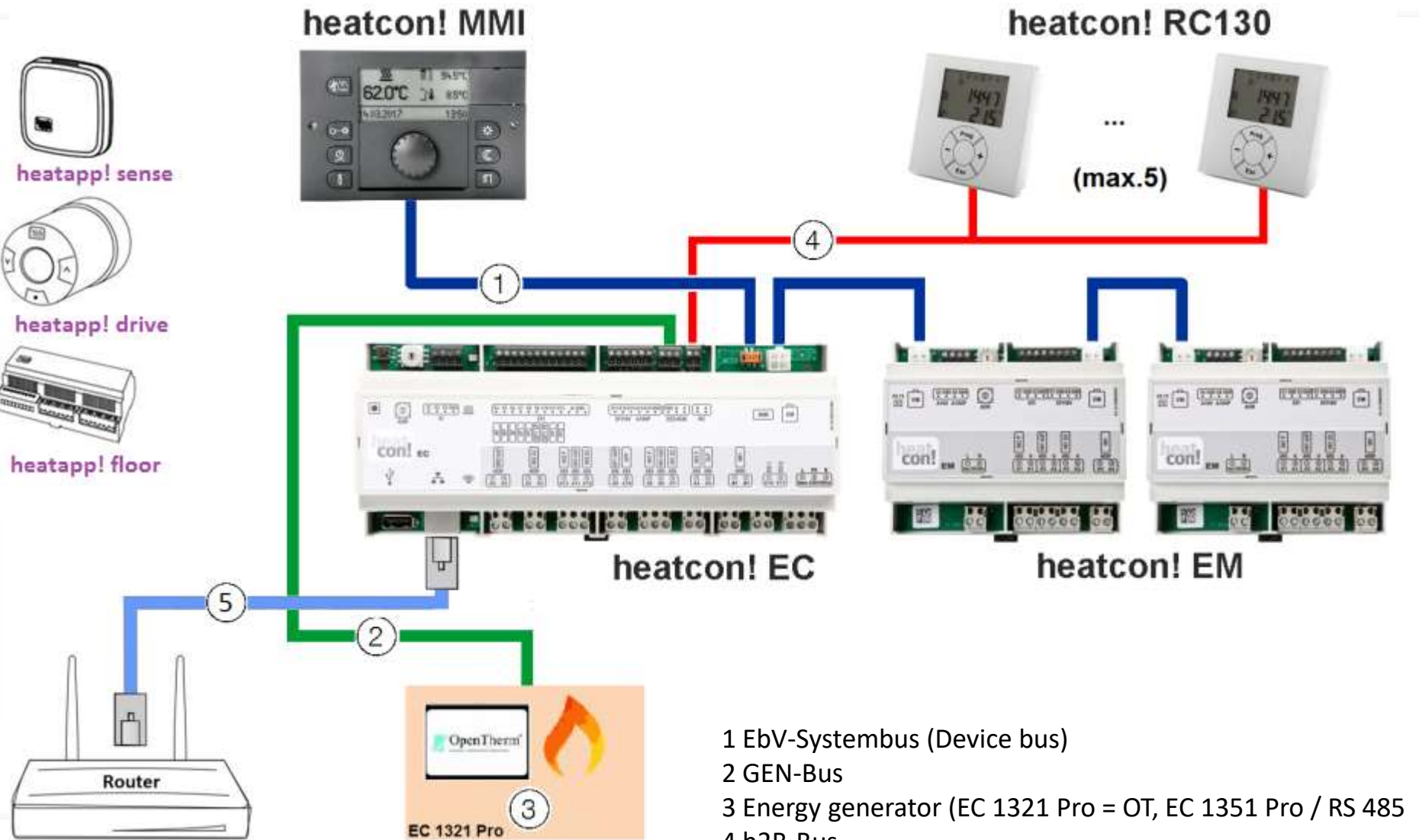
3 Energy generator (EC 1321 Pro = OT, EC 1351 Pro / RS 485)

4 h2B-Bus

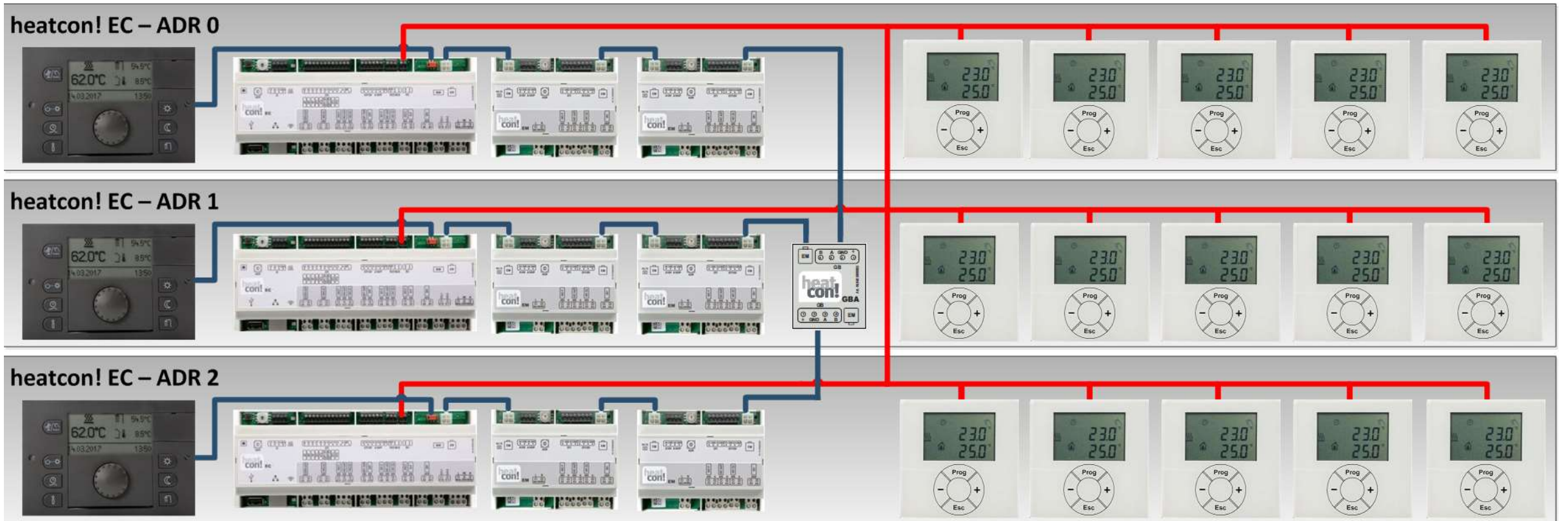
# heatcon! System image



# heatcon! System image



# heatcon! System structure (max.)





**EbV**  
elektronik



**heat  
con!**

