

THETA Controller



Controller THETA



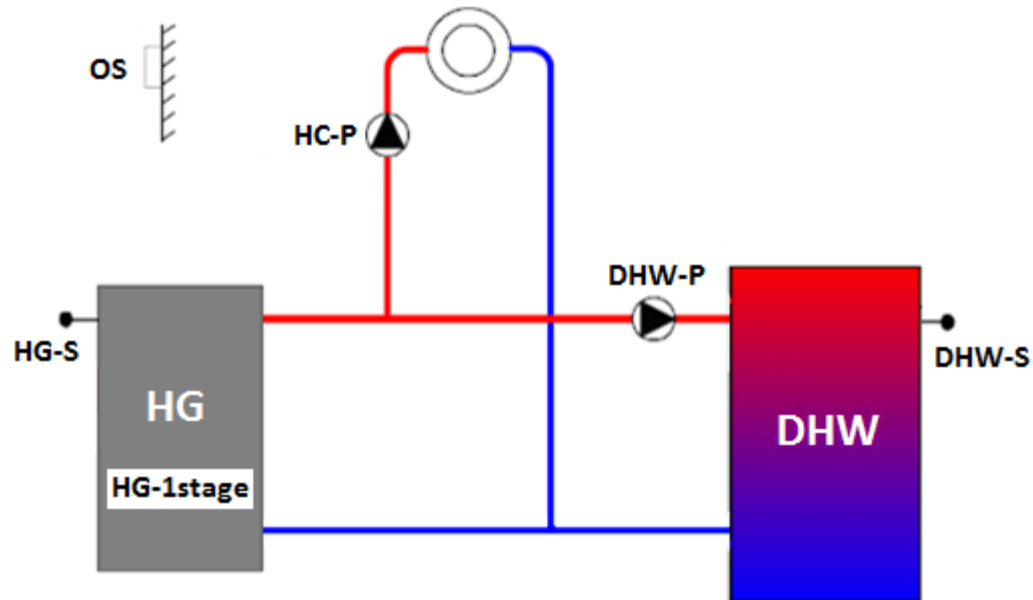
THETA Variants type designation

THETA+ N2B
 THETA+ N23B
 THETA+ N233B
 THETA+ N2233BVV
 THETA+ N2233BVVC
 THETA+ N2233BVVC-OT
 THETA+ N233BVV-FW

22 = two stage GEN	C = communication
THETA+ = Controller Version 3.x	B = hot water
N = Standard housing (mounting dimensions: 138 x 92 mm)	VV = variable outputs (Solar, buffer, solid ...)
2 = one stage GEN	C = communication
22 = two stage GEN	OT = OpenTherm
3 = one mixed circuit	FW = district heating
33 = two mixer heating circuits	

Controller THETA

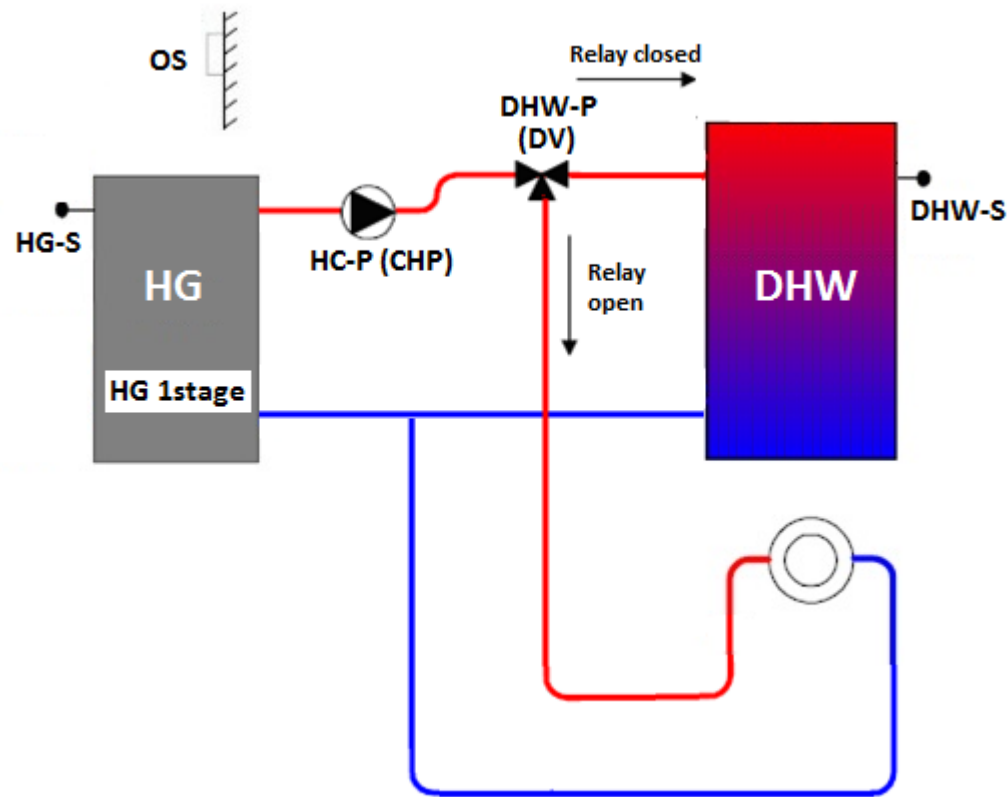
THETA+ N2B



1 stage heat source / unmixed heating circuit / domestic hot water

Controller THETA

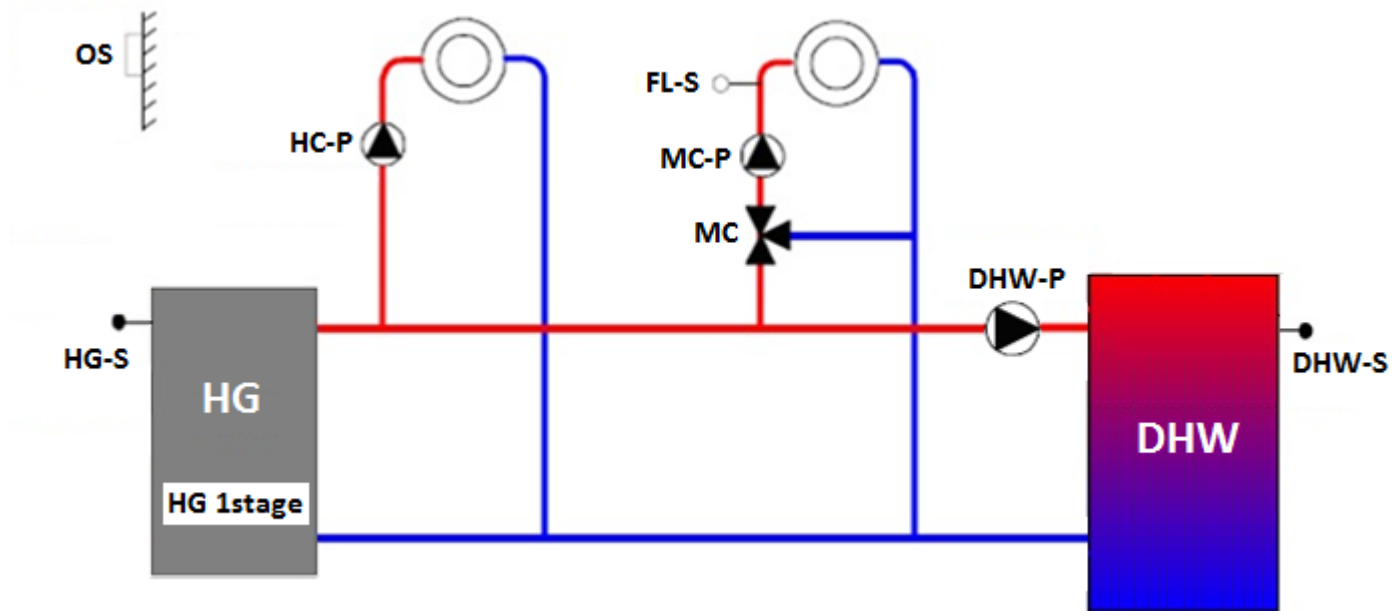
THETA+ N2B



**Possible configuration:
1 stage heat source / pump as ZUP for unmixed circuit and hot water/ domestic hot water**

Controller THETA

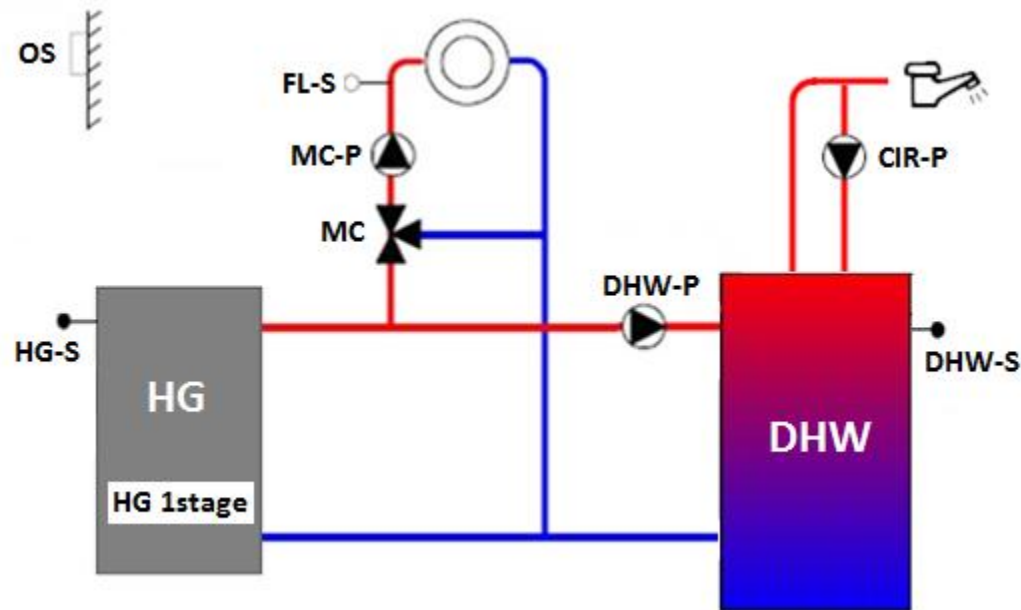
THETA+ N23B



1 stage heat source / 1x mixed circuit / 1x unmixed circuit / domestic hot water

Controller THETA

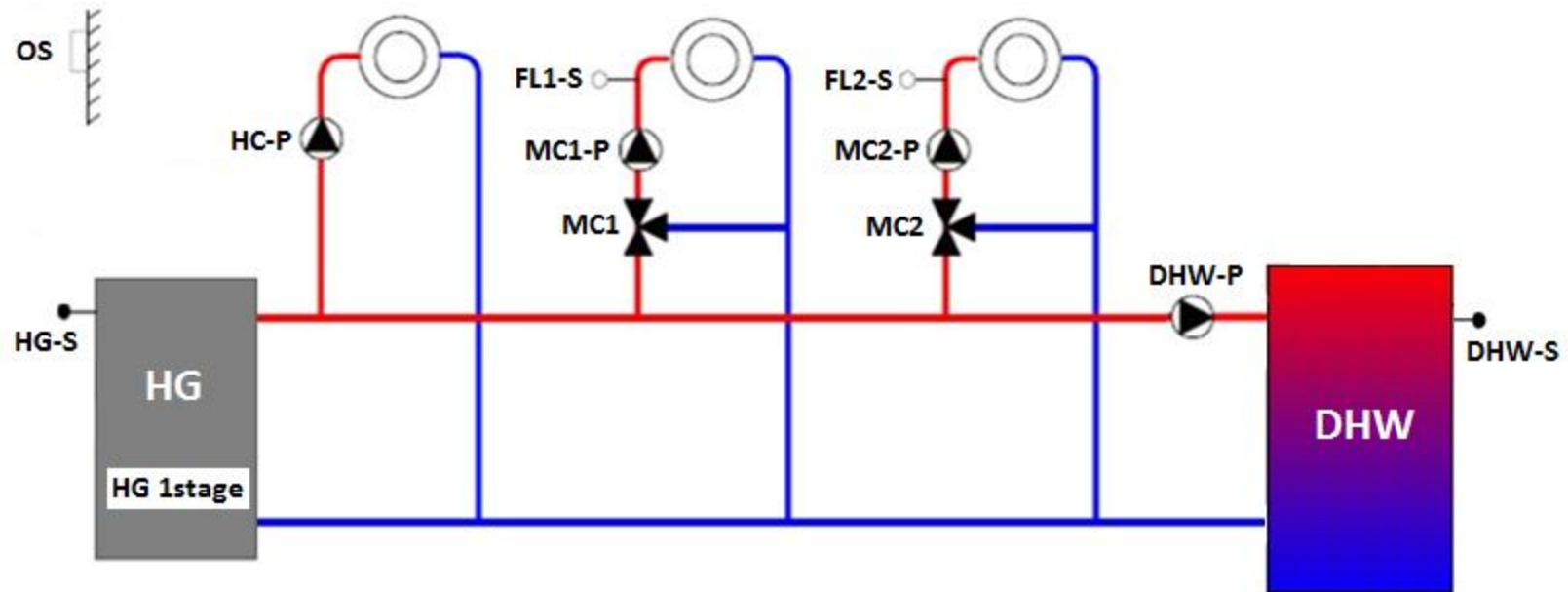
THETA+ N23B



**Possible configuration:
1 stage heat source / 1x mixed circuit / domestic hot water /
output DKP for circulation pump**

Controller THETA

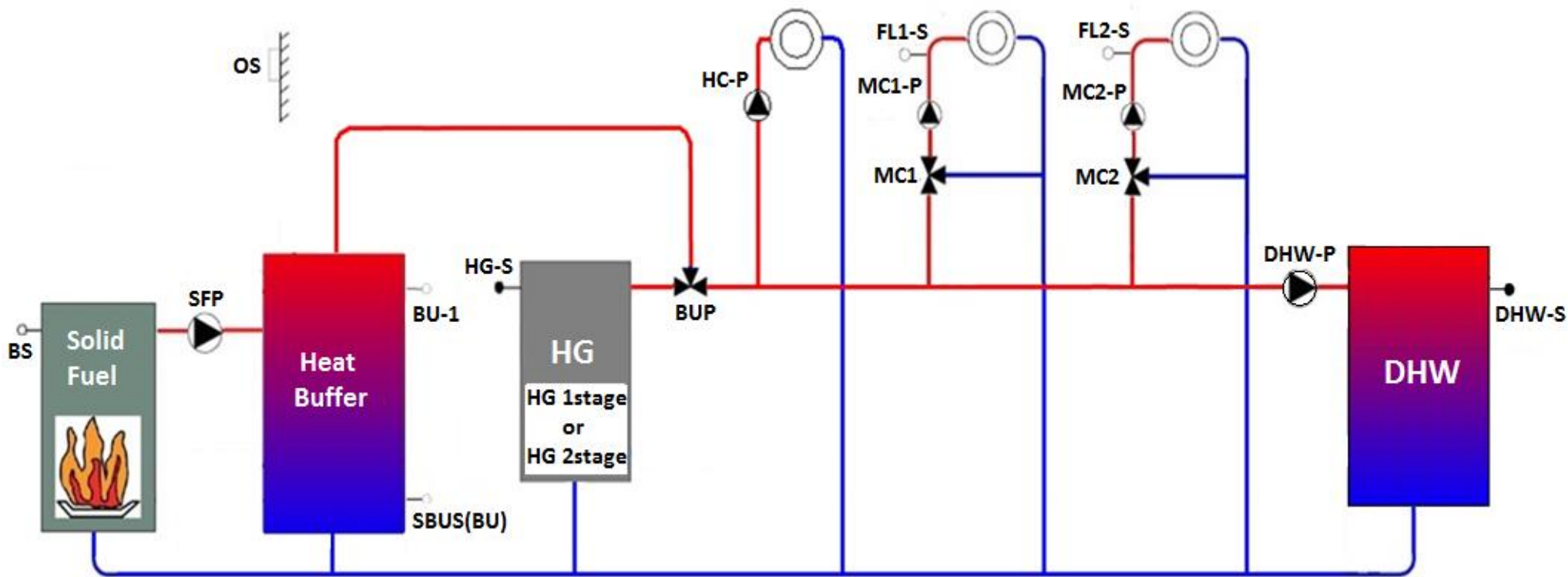
THETA+ N233B



1 stage heat source / 2x mixed circuit / 1x direct circuit / domestic hot water

Controller THETA

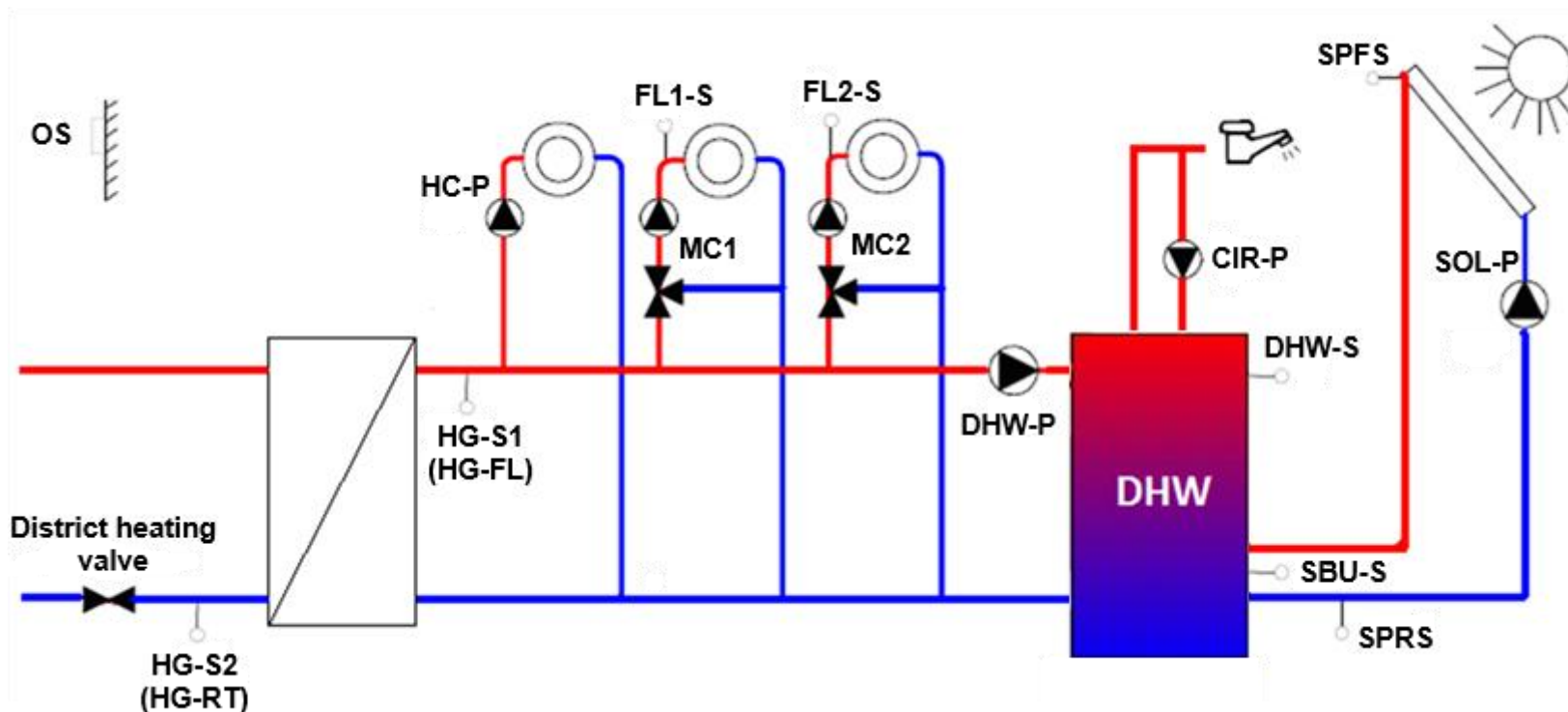
THETA+ N223BVV



2 stage heat source/ 2x mixed circuit/ 1x unmixed circuit / domestic hot water
2x variable output (e.g. for boiler-/pellet-/solar-control)

Controller THETA

THETA+ N233BVV-FW



District heating / 2x mixed circuit/ 1x unmix circuit / domestic hot water
2x variable output (e.g. for circulation pump /boiler-/solar-control)

Controller THETA



THETA variants
Type designation

THETA+ N2233BVV
THETA+ N2233BVVC
THETA+ N2233BVVC-OT
THETA+ N233BVV-FW

These THETA variants offer different configuration with variable outputs and interface for different heating boiler systems

Controller THETA



THETA+ N2233BVV

Heating boiler:

1-stage
2-stage
2x1-stage
modulating (relais)



THETA+ N2233BVVC

Heating boiler:

1-stage

2-stage

2x1-stage

modulating (relais)

**MCBA-heating automat
(RS 485 interface)**

Controller THETA



THETA+ N2233BVVC-OT

Heating boiler:

1-stage

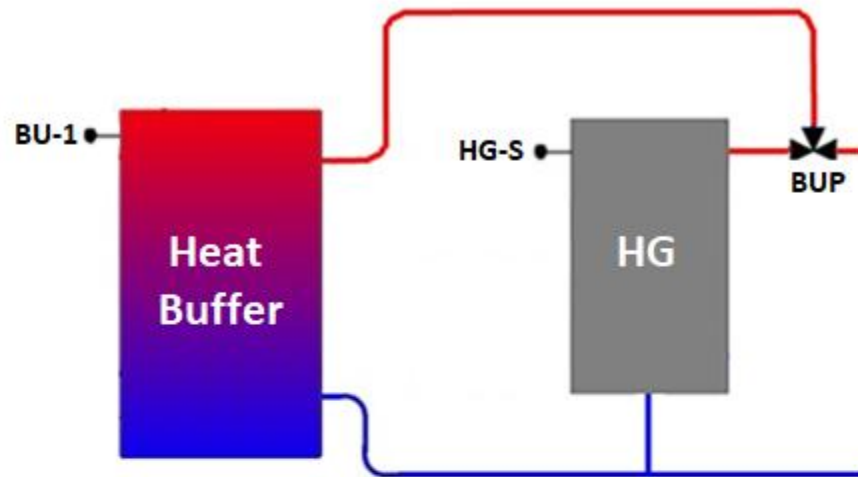
2-stage

2x1-stage

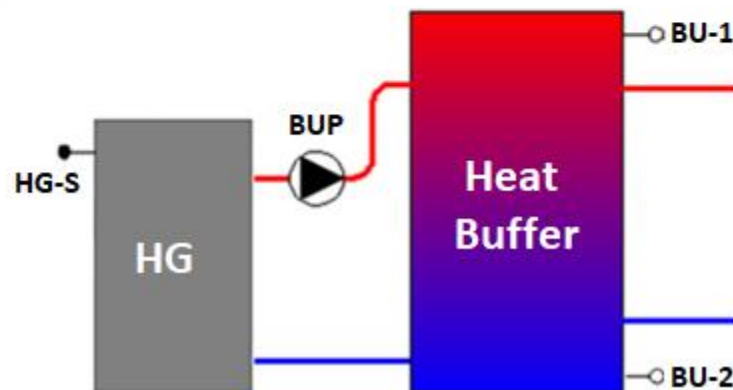
modulating (relais)

OpenTherm-heating automat

Buffer unloading control



Buffer charge control



Possible configuration of the variable outputs

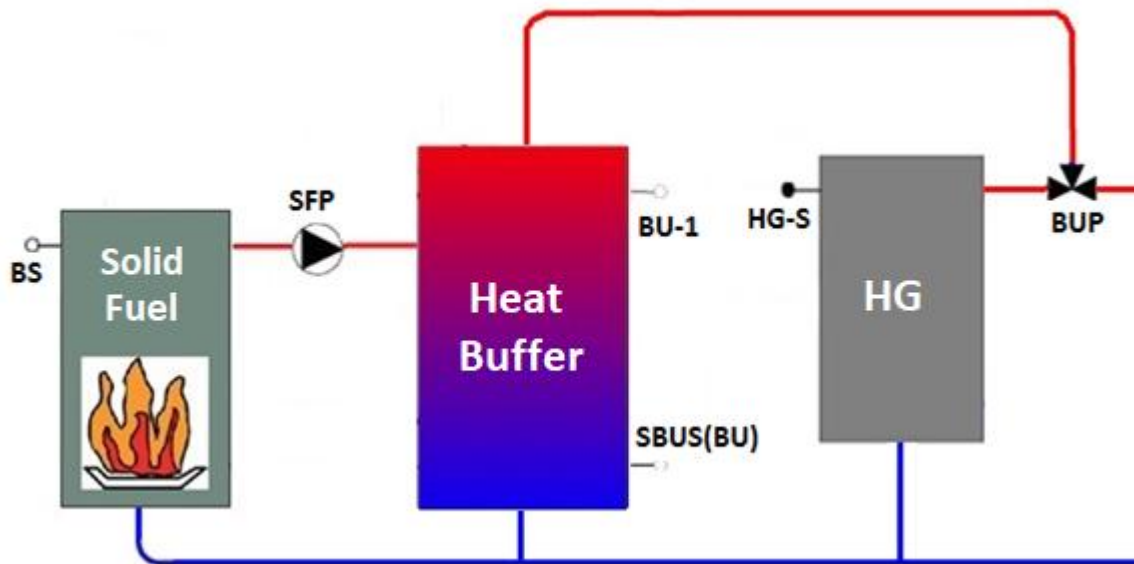
THETA+ N223BVV

THETA+ N223BVVC

THETA+ N223BVVC-OT

THETA+ N233BVV-FW

Solids difference control



Possible configuration of the variable outputs

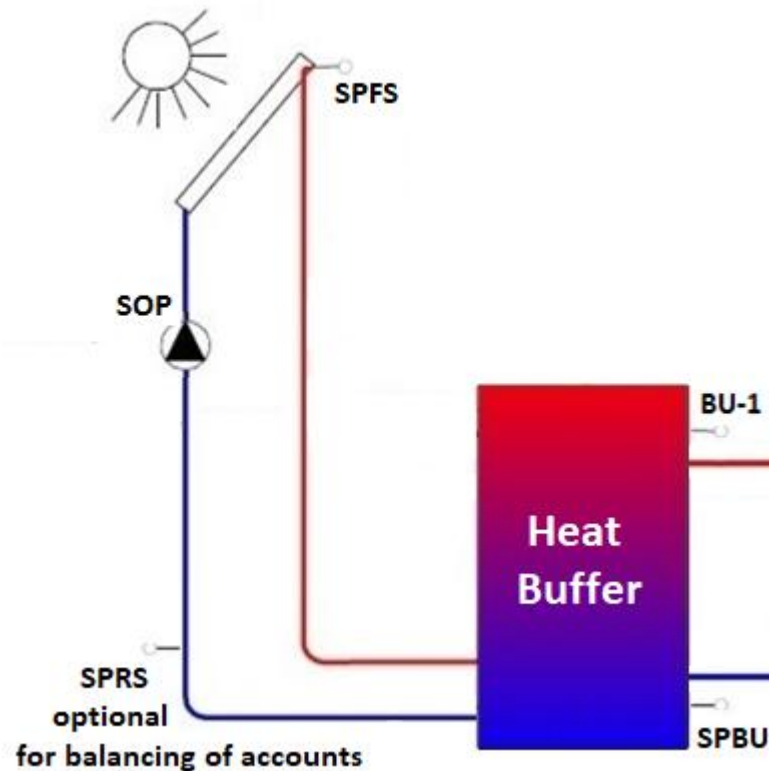
THETA+ N2233BVV

THETA+ N2233BVVC

THETA+ N2233BVVC-OT

THETA+ N233BVV-FW

solar-differential control

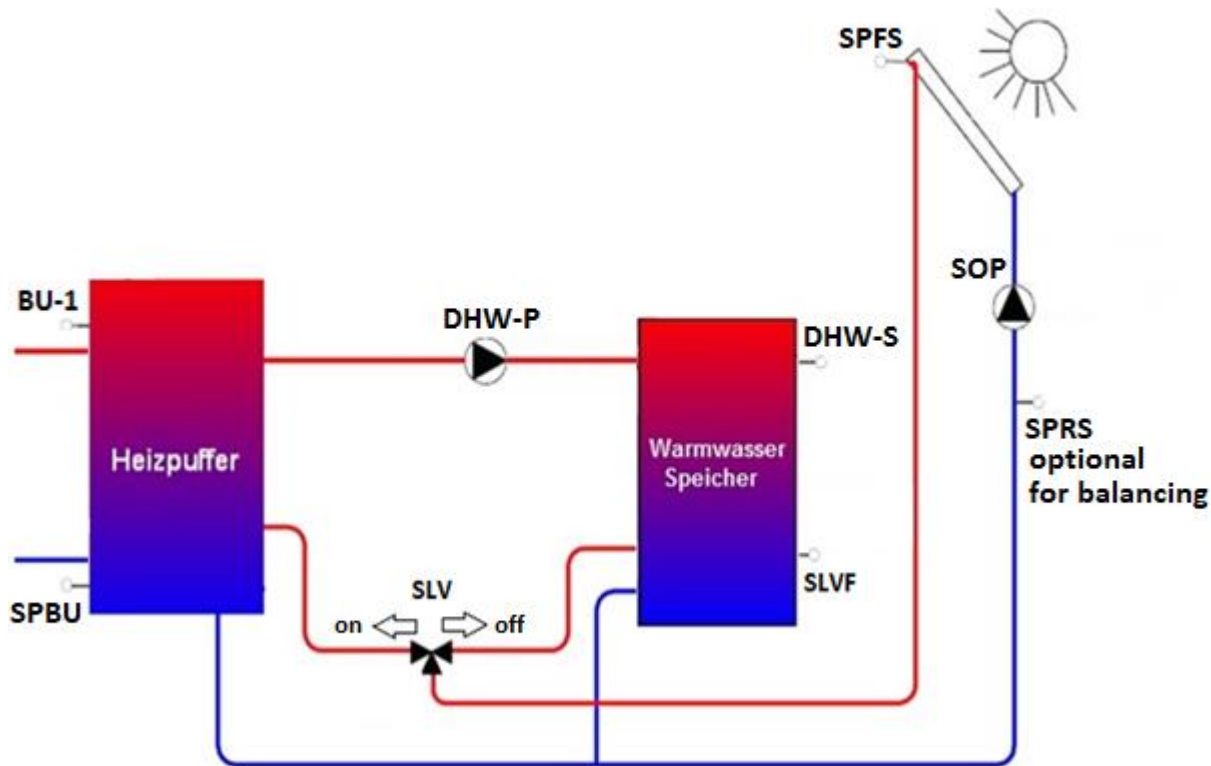


Possible configuration of the variable outputs

- THETA+ N2233BVV
- THETA+ N2233BVVC
- THETA+ N2233BVVC-OT
- THETA+ N233BVV-FW

Controller THETA

solar-differential control
with solar charging valve



Possible configuration of
the variable outputs

THETA+ N223BVV

THETA+ N223BVVC

THETA+ N223BVVC-OT

THETA+ N233BVV-FW

Circulating pump

Electrical heating element

Boiler circuit pump

Loading pump

Alarm output

e.t.c.

**Possible configuration of
the variable outputs**

THETA+ N2233BVV

THETA+ N2233BVVC

THETA+ N2233BVVC-OT

THETA+ N233BVV-FW

Circulating pump

Electrical heating element

Boiler circuit pump

Loading pump

Alarm output

e.t.c.

For all THETA variants it is possible to use output DKP as variable output with limitations. Details are described in the user manual.

Do you have any questions?

You can contact our support
by e-mail to support@ebv-gmbh.de

