

THETA Controller



Controller THETA



THETA Variants type designation

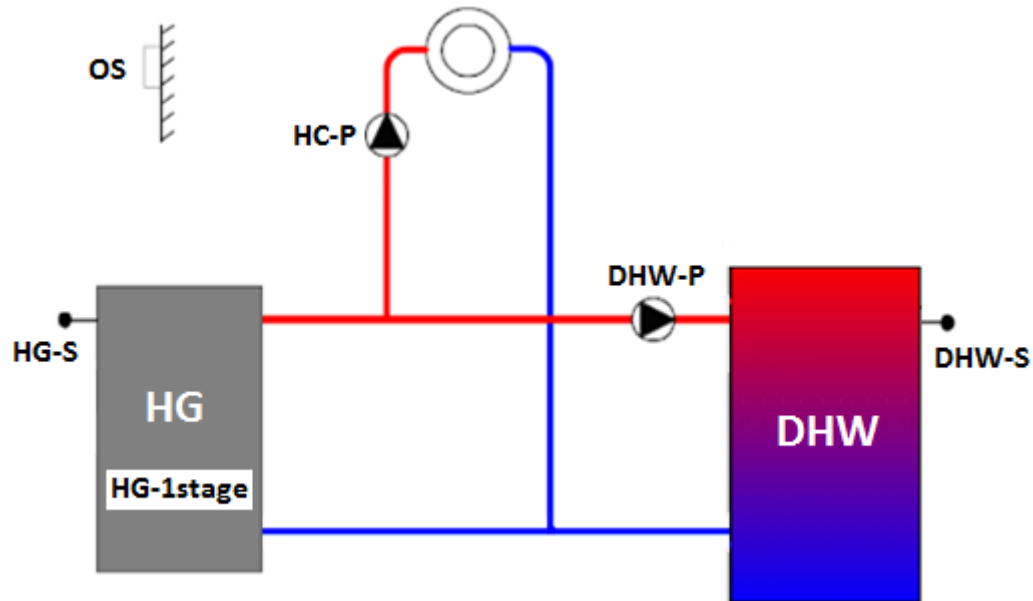
THETA+ N2B
THETA+ N23B
THETA+ N233B
THETA+ N2233BVV
THETA+ N2233BVVC
THETA+ N2233BVVC-OT

Designation key

THETA+ = Controller Version 3.x	33 = two mixer heating circuits
N = Normgehäuse (Einbaumaß 138 x 92 mm)	B = hot water
2 = one stage GEN	VV = variable outputs (Solar, buffer, solid ...)
22 = two stage GEN	C = communication
3 = one mixed circuit	OT = OpenTherm

Controller THETA

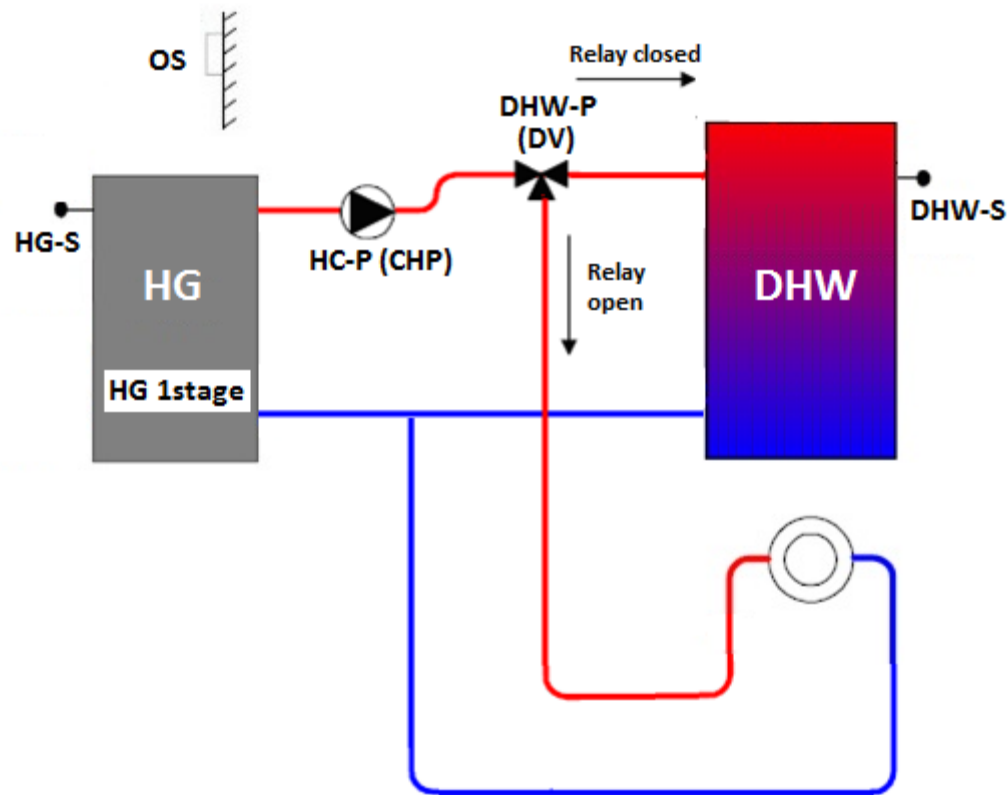
THETA+ N2B



1 stage heat source / unmixed heating circuit / domestic hot water

Controller THETA

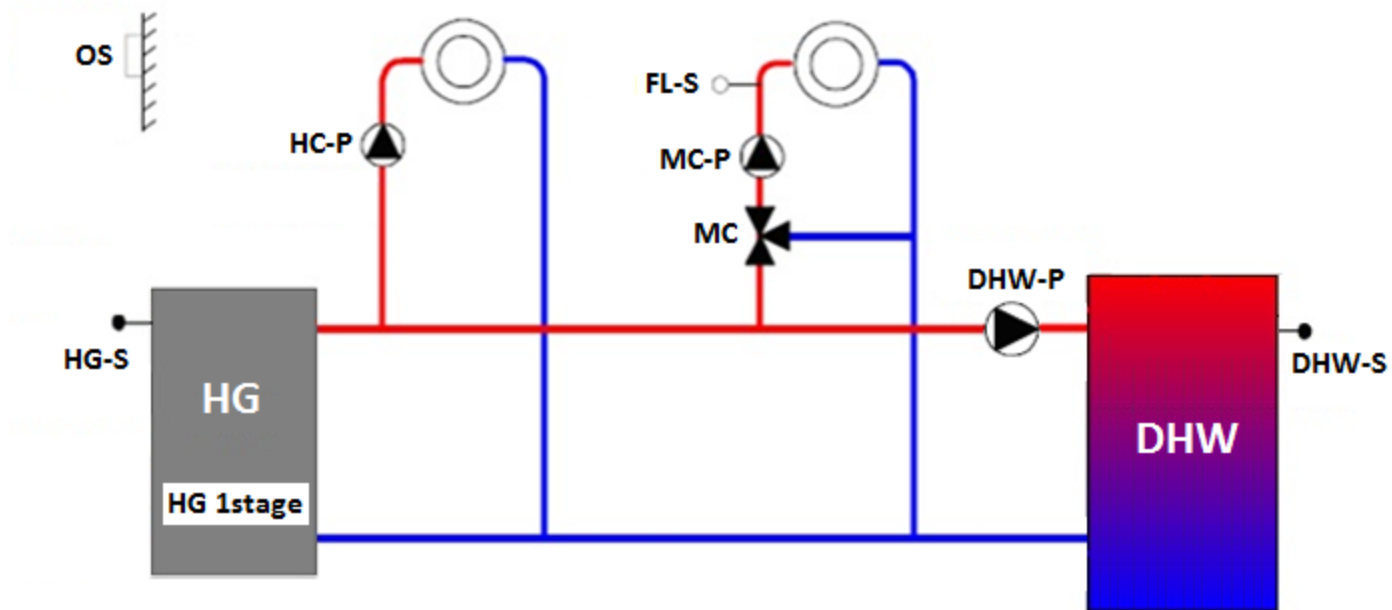
THETA+ N2B



Possible configuration:
1 stage heat source / pump as ZUP for unmixed circuit and hot water/ domestic hot water

Controller THETA

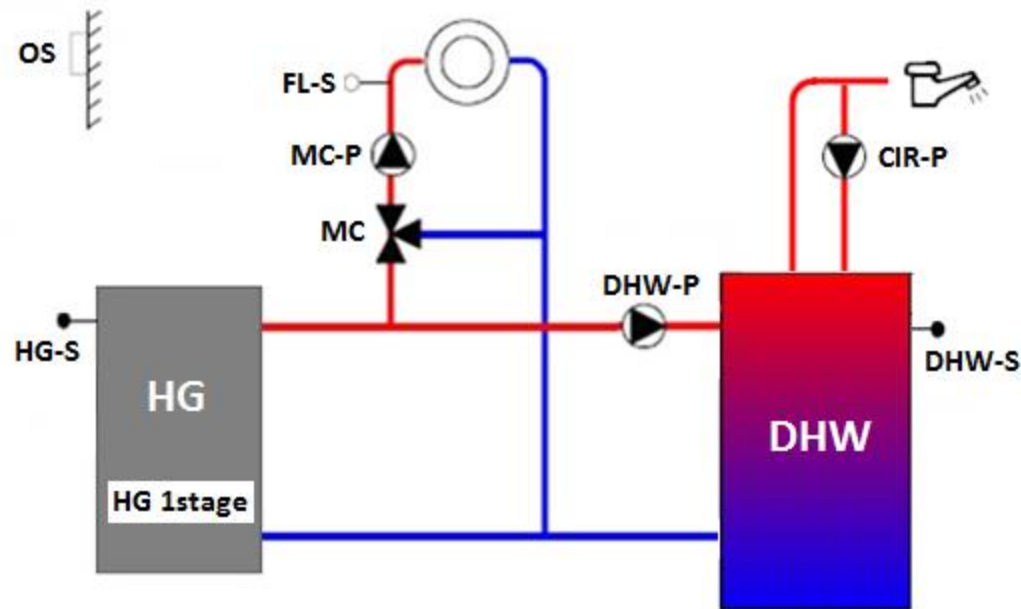
THETA+ N23B



1 stage heat source / 1x mixed circuit / 1x unmixed circuit / domestic hot water

Controller THETA

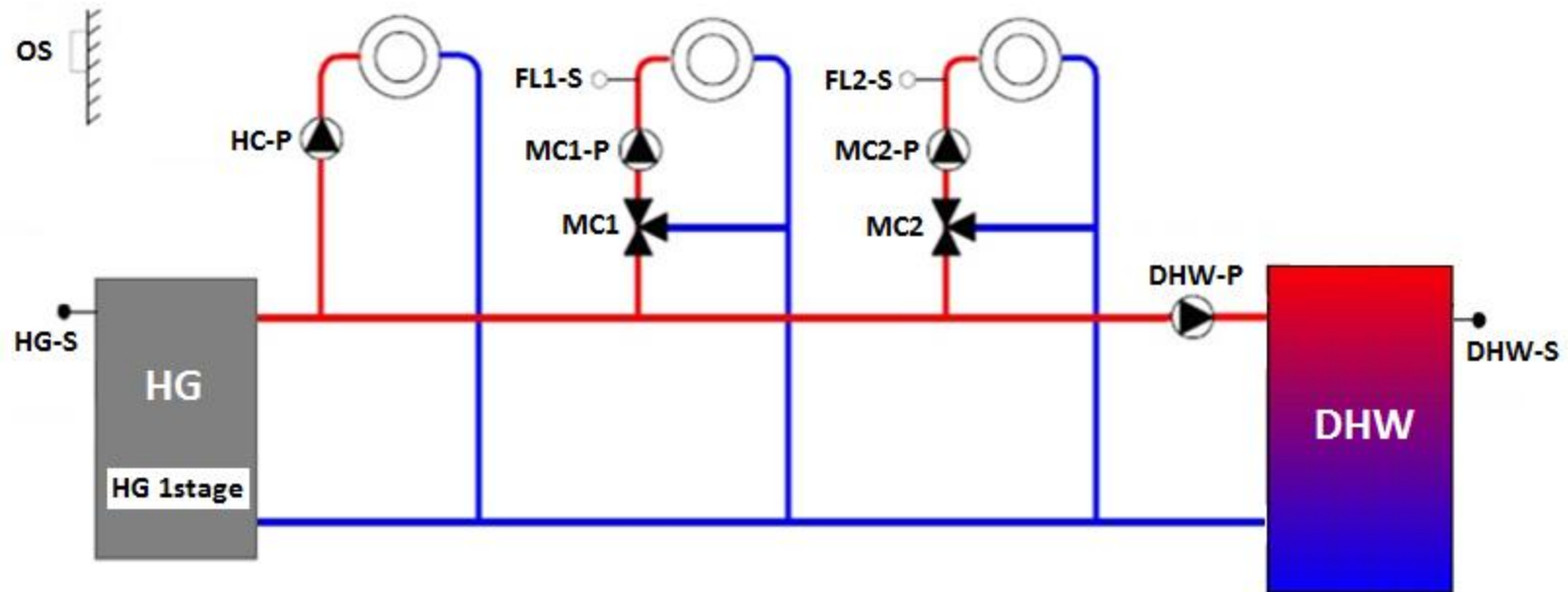
THETA+ N23B



**Possible configuration:
1 stage heat source / 1x mixed circuit / domestic hot water /
output DKP for circulation pump**

Controller THETA

THETA+ N233B



1 stage heat source / 2x mixed circuit / 1x direct circuit / domestic hot water

Controller THETA



THETA variants
Type designation

THETA+ N2233BVV
THETA+ N2233BVVC
THETA+ N2233BVVC-OT

These THETA variants offer different configuration with variable outputs and interface for different heating boiler systems

Controller THETA



THETA+ N2233BVV

Heating boiler:

- 1-stage
- 2-stage
- 2x1-stage
- modulating (relais)



THETA+ N2233BVVC

Heating boiler:

1-stage

2-stage

2x1-stage

modulating (relais)

**MCBA-heating automat
(RS 485 interface)**

Controller THETA



THETA+ N2233BVVC-OT

Heating boiler:

1-stage

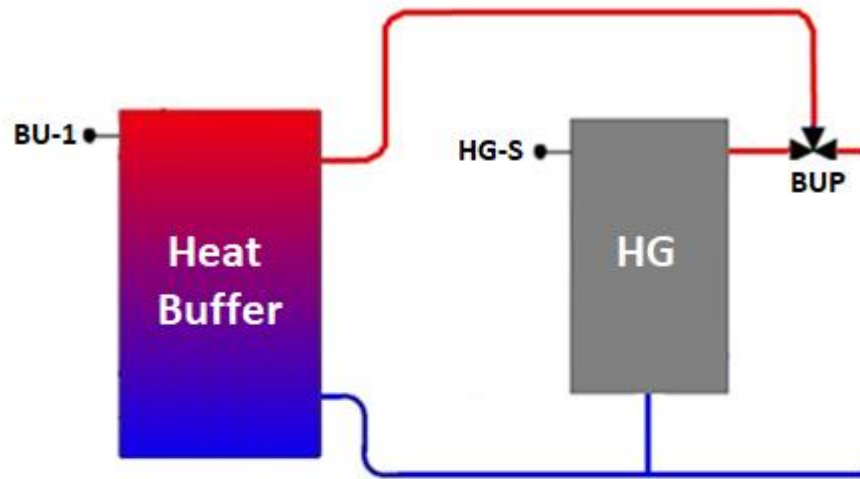
2-stage

2x1-stage

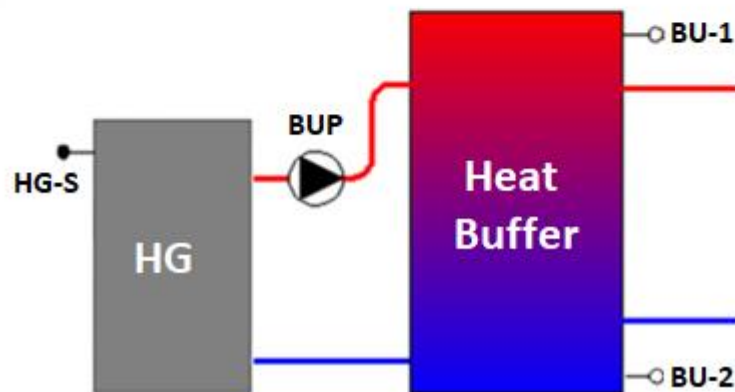
modulating (relais)

OpenTherm-heating automat

Buffer unloading control



Buffer charge control



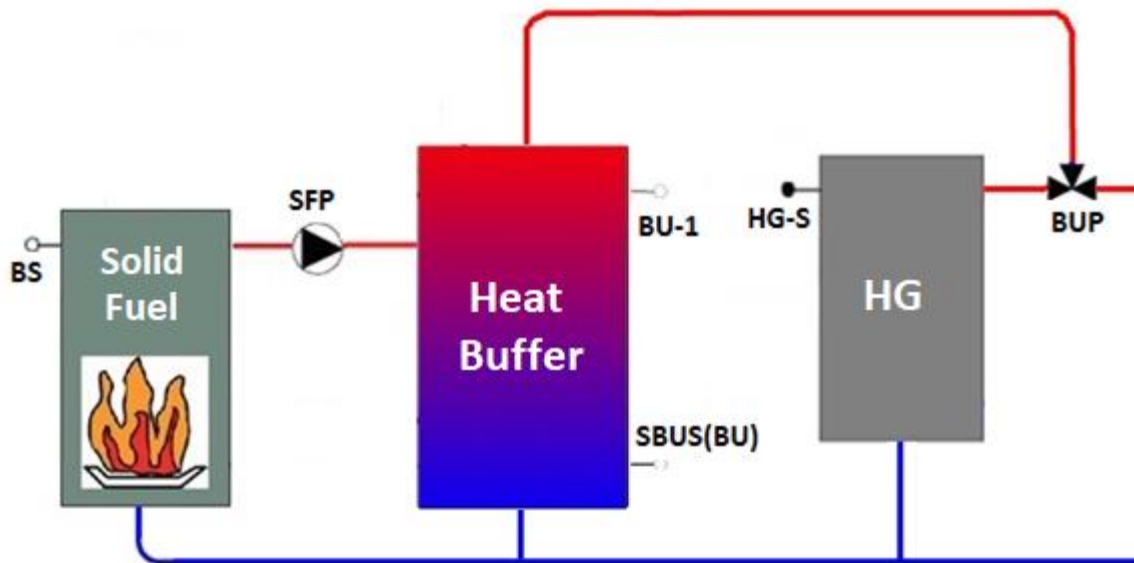
Possible configuration of
the variable outputs

THETA+ N223BVV

THETA+ N223BVVC

THETA+ N223BVVC-OT

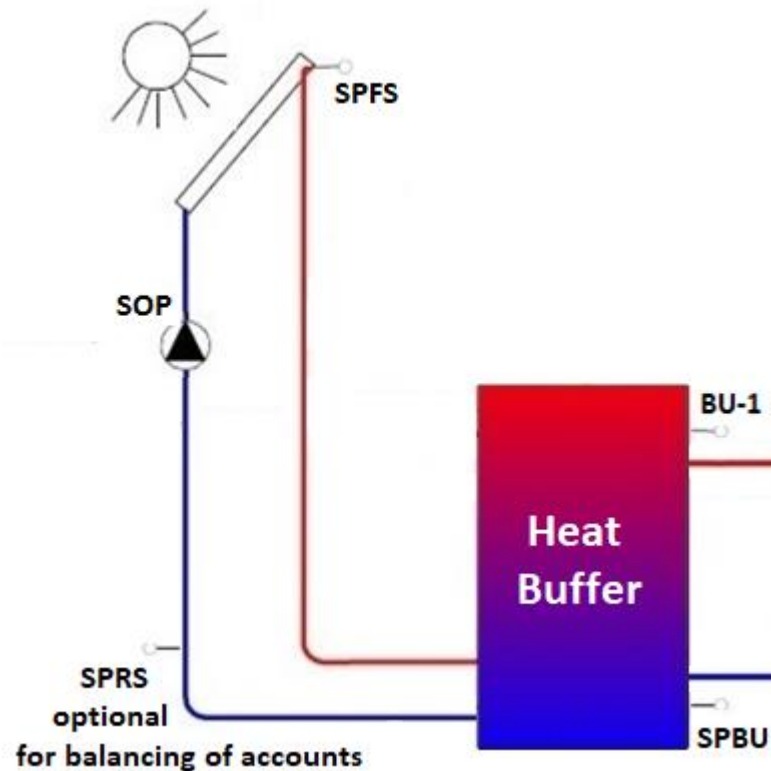
Solids difference control



Possible configuration of the variable outputs

- THETA+ N2233BVV
- THETA+ N2233BVVC
- THETA+ N2233BVVC-OT

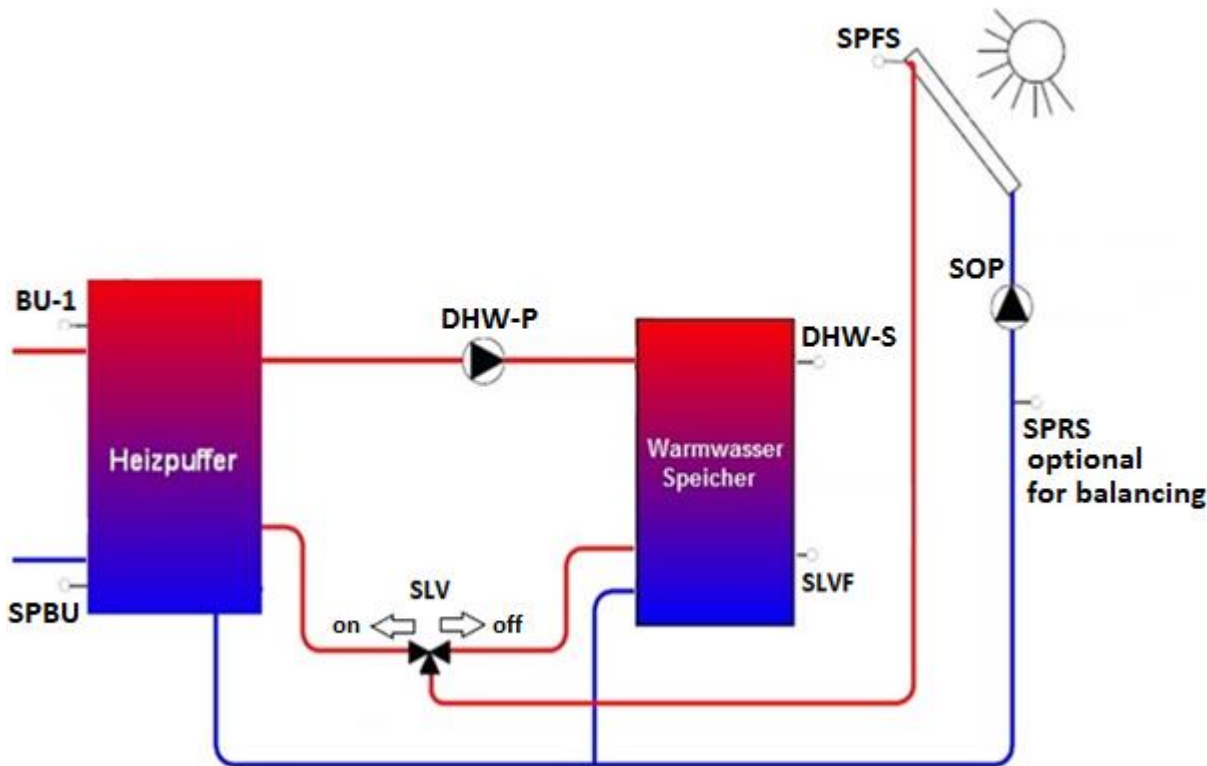
solar-differential control



Possible configuration of
the variable outputs

THETA+ N2233BVV
THETA+ N2233BVVC
THETA+ N2233BVVC-OT

solar-differential control
with solar charging valve



Possible configuration of
the variable outputs

THETA+ N2233BVV

THETA+ N2233BVVC

THETA+ N2233BVVC-OT

Circulating pump

Electrical heating element

Boiler circuit pump

Loading pump

Alarm output

e.t.c.

**Possible configuration of
the variable outputs**

THETA+ N2233BVV

THETA+ N2233BVVC

THETA+ N2233BVVC-OT

Circulating pump

Electrical heating element

Boiler circuit pump

Loading pump

Alarm output

e.t.c.

For all THETA variants it is possible to use output DKP as variable output with limitations. Details are described in the user manual.

Do you have any questions?

You can contact our support
by e-mail to support@ebv-gmbh.de

