

# CETA 107

## Heating circuit control



# Control system CETA

## CETA 107

Heating controller for mixer-operated heating circuit and unmixed heating circuit, boiler control and domestic hot water control via OT

The CETA 107 controller is a device that we have developed for and with our OEM partners MHG and Rotex. The software contained in the controller is adapted to their products. The distribution is carried out exclusively by our OEM partners.

# Control system CETA

## CETA 107

Heating controller for mixer-operated heating circuit and unmixed heating circuit, boiler control and domestic hot water control via OT



**CETA RC**  
Remoute control  
without room function



**VF 202 B**  
Flow contact sensor

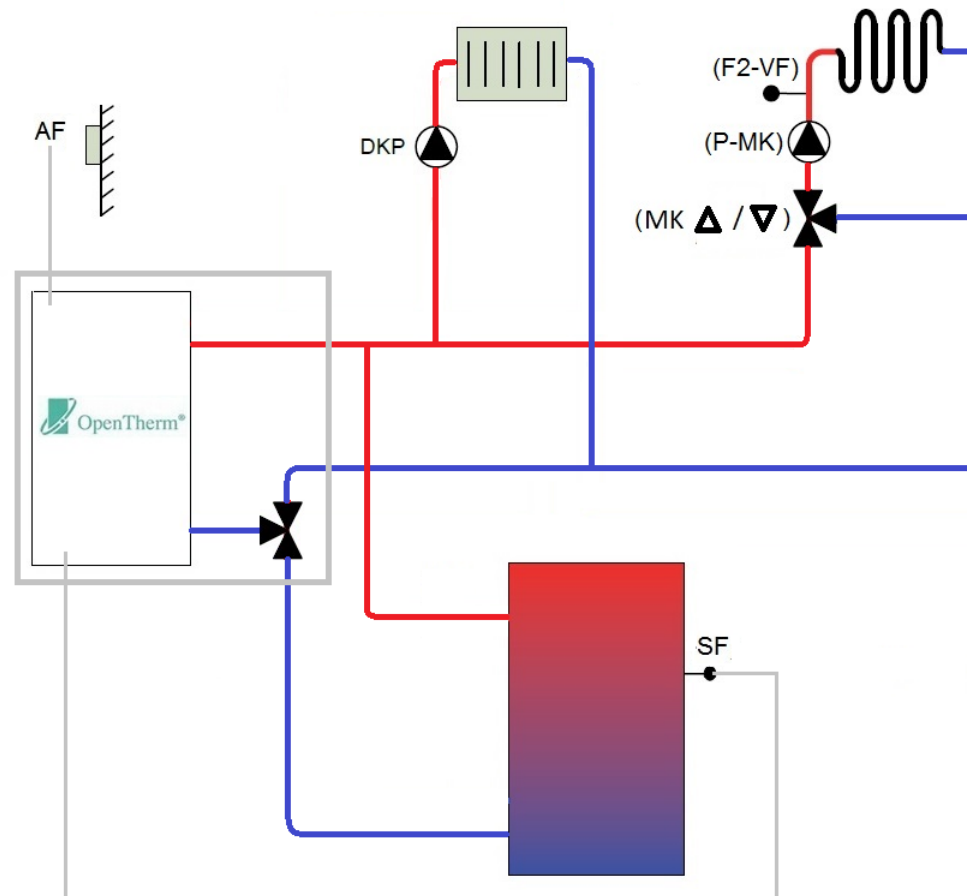
# Control system CETA

## CETA 107

Heating controller for mixer-operated heating circuit and unmixed heating circuit, boiler control and domestic hot water control via OT



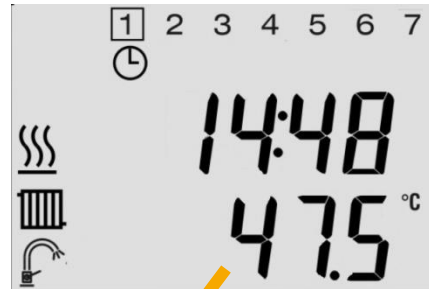
1x VF 202 B (Sensor F2)



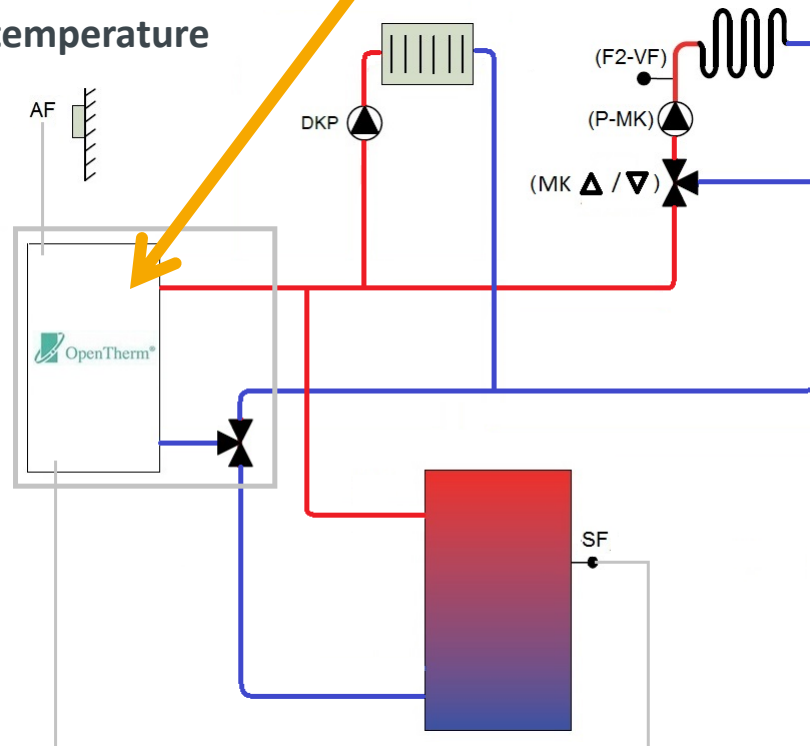
# Control system CETA

## CETA 107

### Basic Display



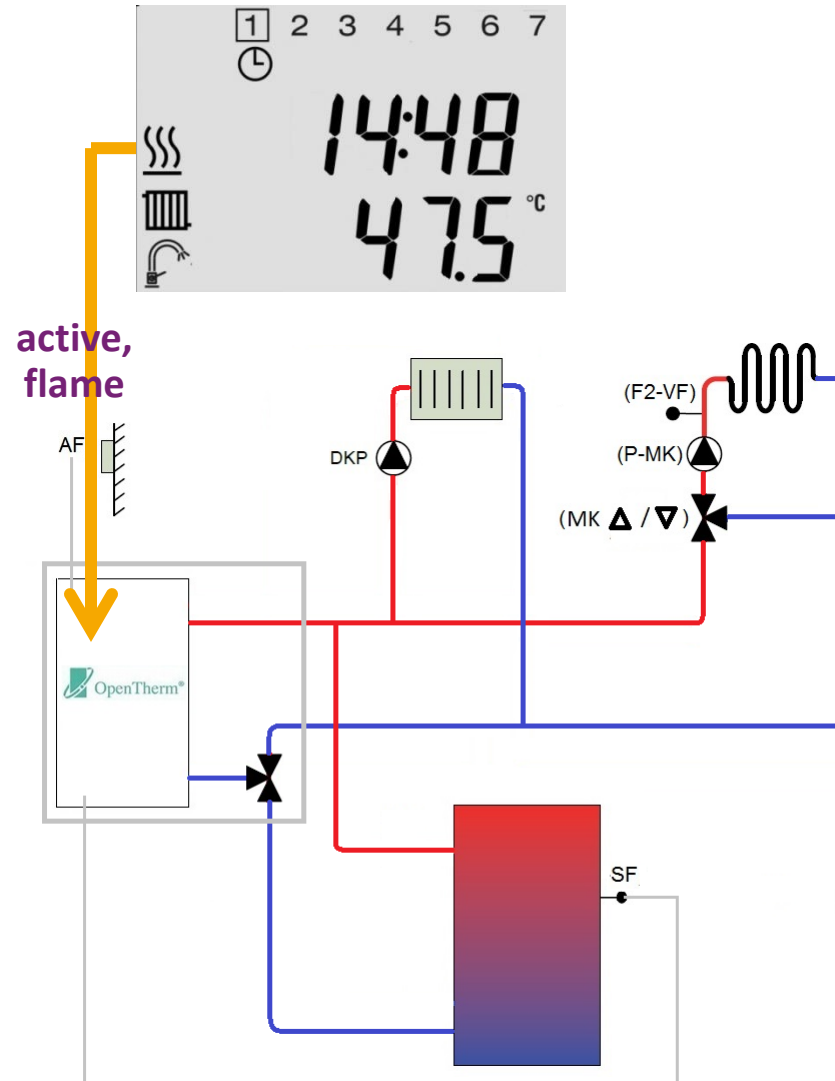
### Boiler temperature



# Control system CETA

## CETA 107

### Basic Display

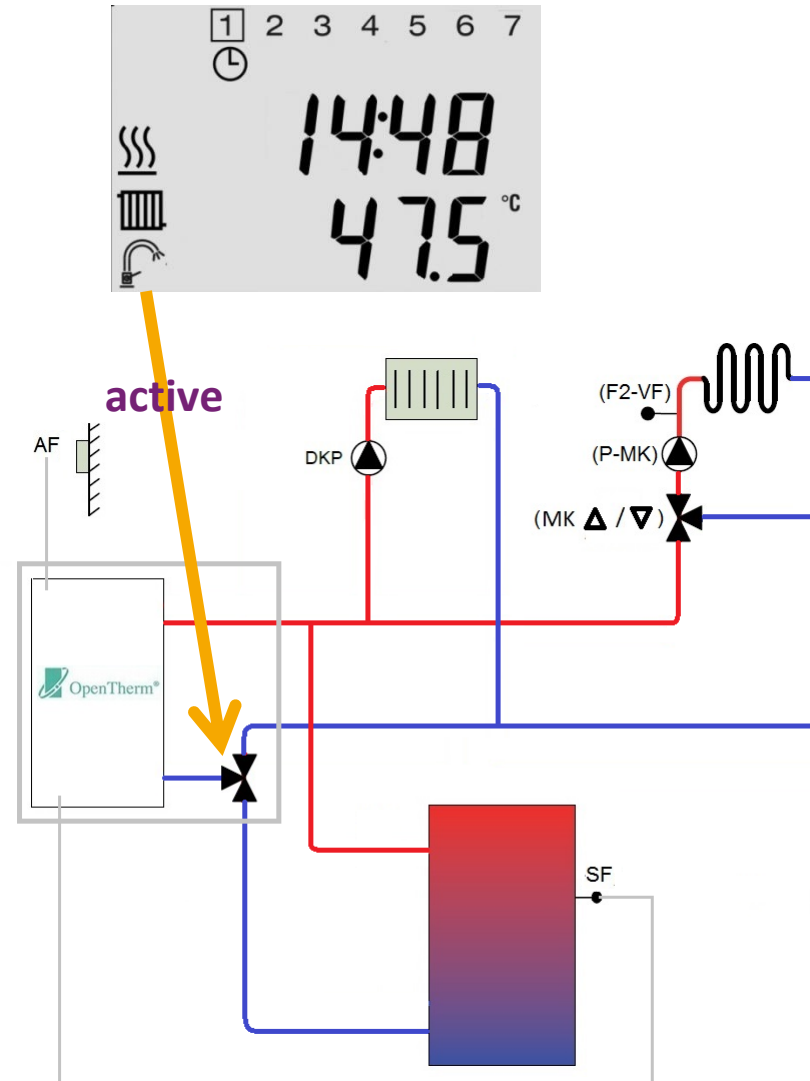




# Control system CETA

## CETA 107

### Basic Display

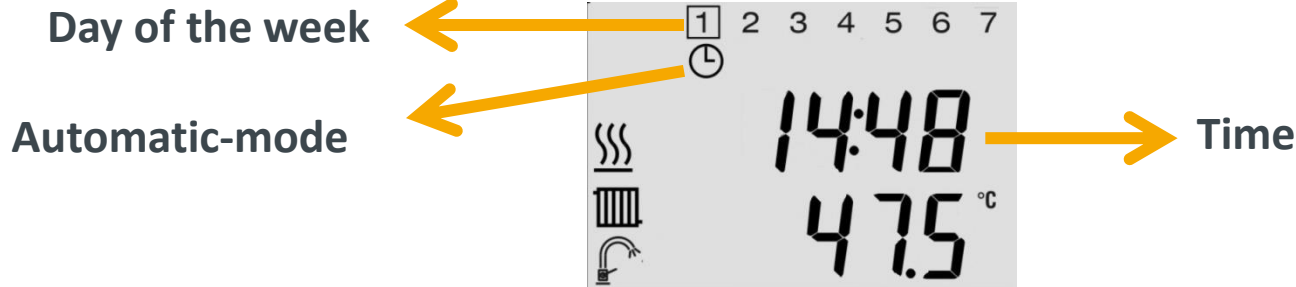









# Control system CETA

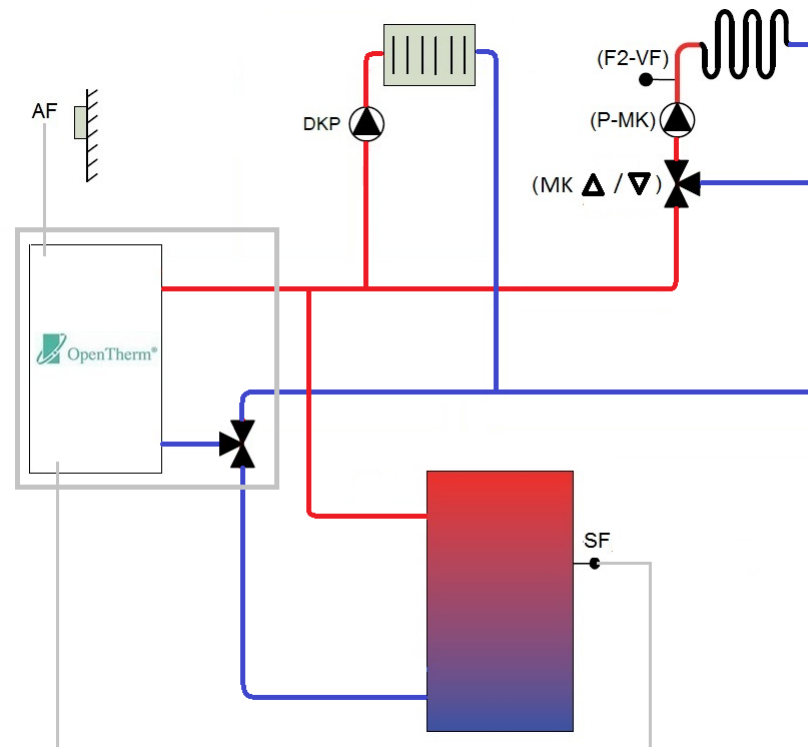
## CETA 107

### Basic Display



### Further operating displays

-  Heating mode heating circuit  
(Operating mode AUTOMATIC or HEATING)
-  Reduced mode heating circuit  
(Operating mode AUTOMATIC or RED. HEATING)
-  Standby heating circuit
-  Summer switch-off heating circuit
-  Frost protection heating circuit

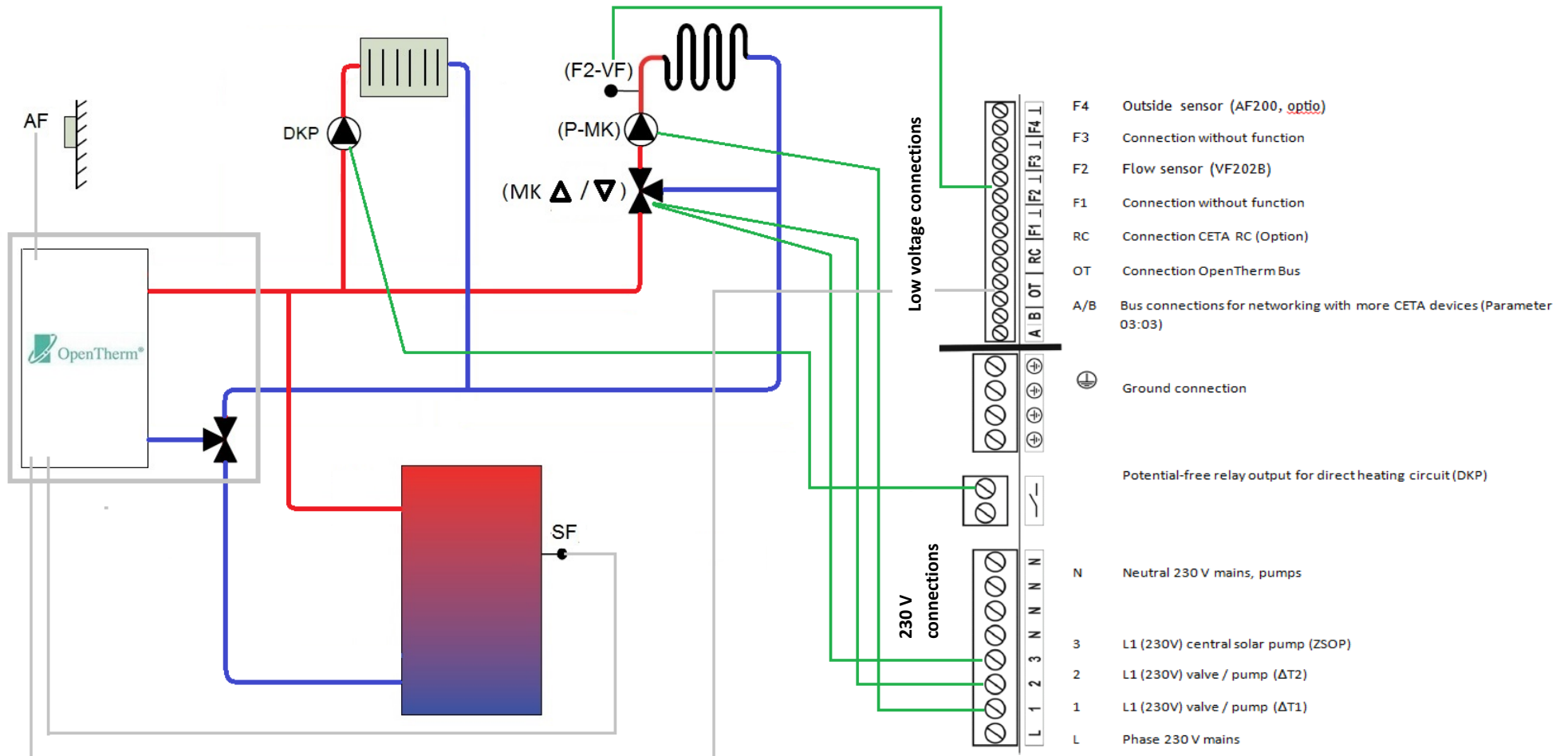


- The time is buffered for max. 2h in case of power failure.
- There is no time synchronization with other CETA 's in the system.

# Control system CETA

## CETA 107

### Connection Example



# Do you have any questions?

You can reach our support by e-mail to  
[support@ebv-gmbh.de](mailto:support@ebv-gmbh.de)

