

CETA 104

Heating circuit control

Menu
and
Operating



Control System CETA

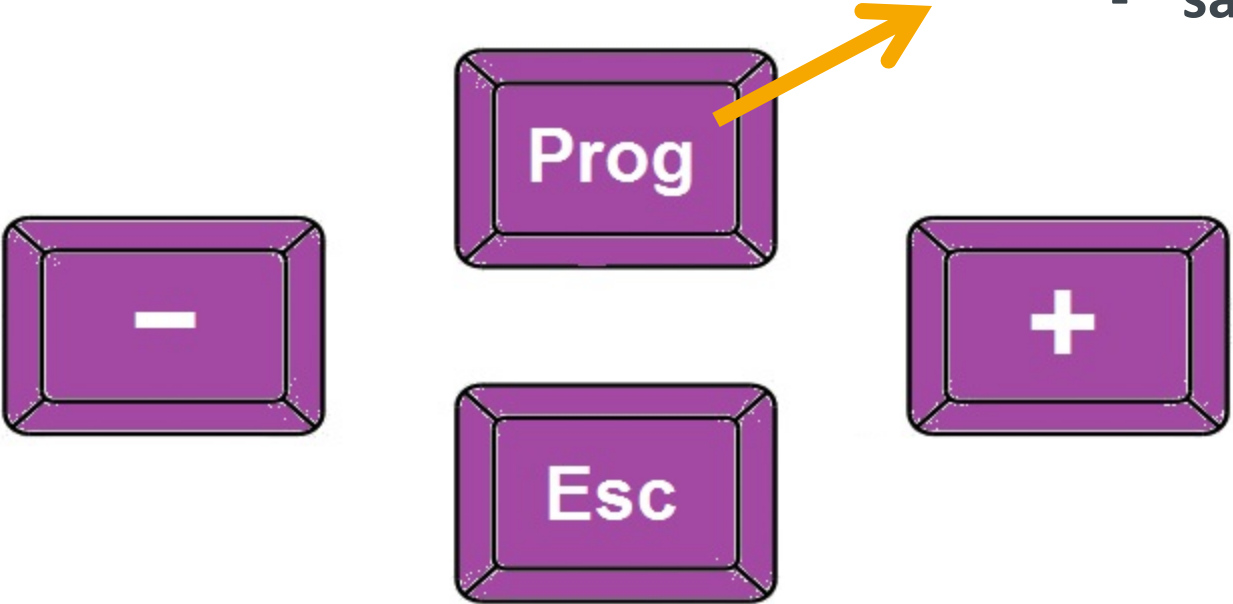
Operating



Control System CETA

Operating

- Entry (Menu, parameter)
 - safe



Control System CETA

Operating



- Return (Menu, Parameter without saving)

Control System CETA

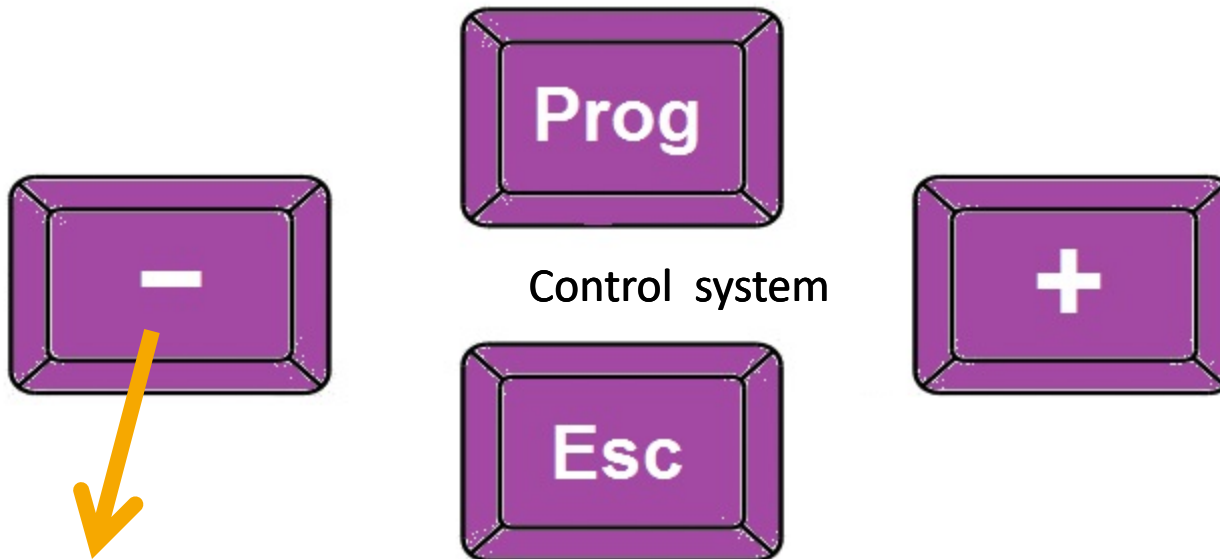
Operating



- Navigation Selection of menu items
- Parameter adjustment

Control System CETA

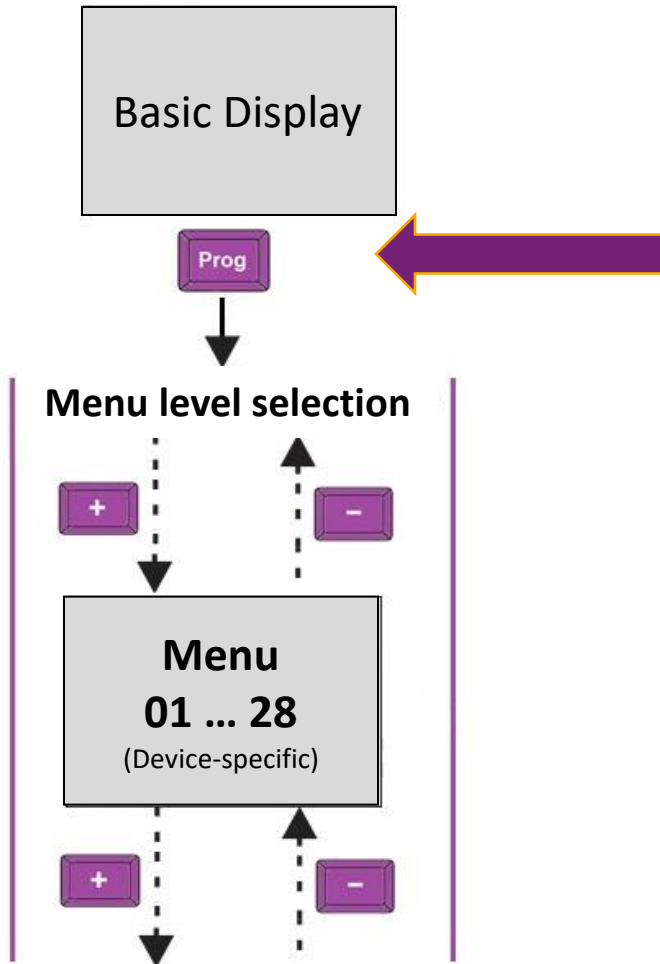
Operating



- Navigation Selection of menu items
- Parameter adjustment

Control System CETA

Operating

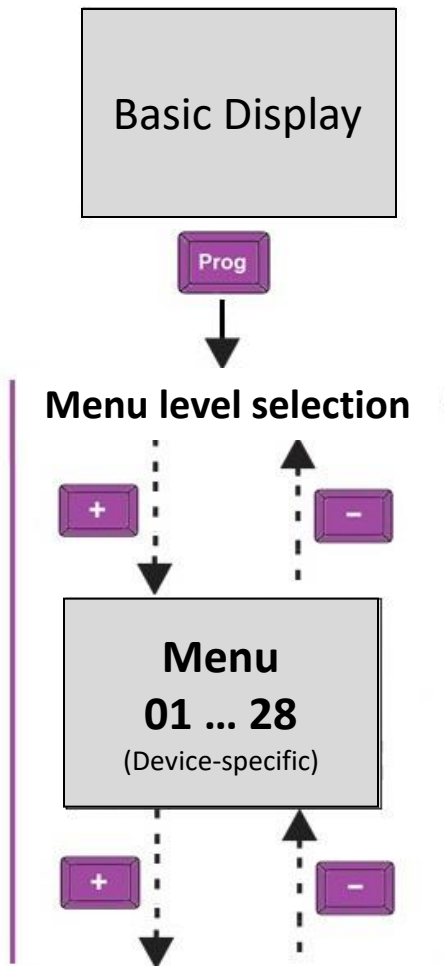


From the basic display, shortly press the "Prog" button to go to the menu selection.

Control System CETA

Operating

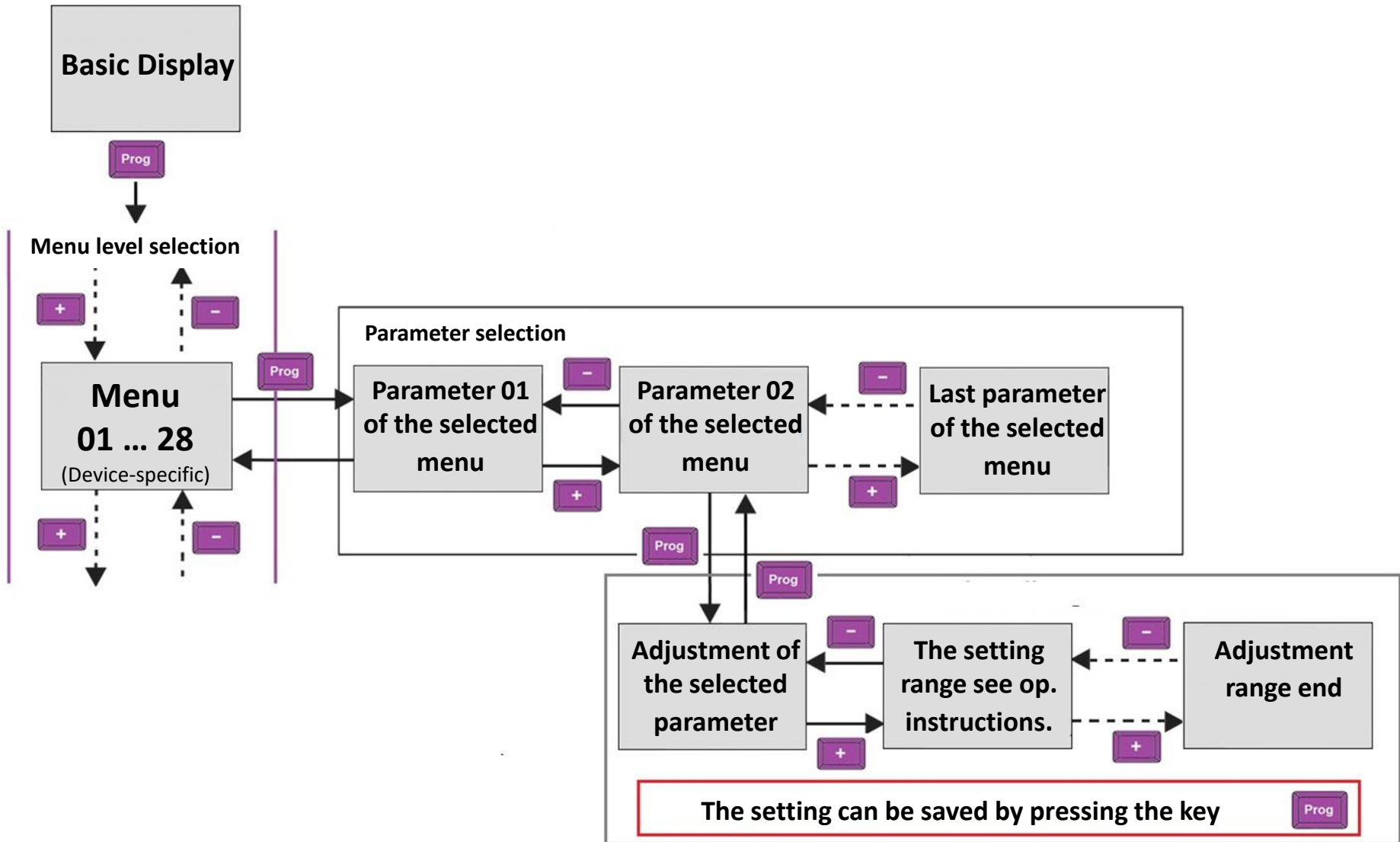
Menu:



- 01 = Info
- 02 = Cycle times
- 03 = System
- 04 = Energy generator
- 06 = Heating circuit
- 07 = Domestic hot water
- 26 = Clock
- 27 = Sensor calibration
- 28 = Relay test

Control System CETA

Operating

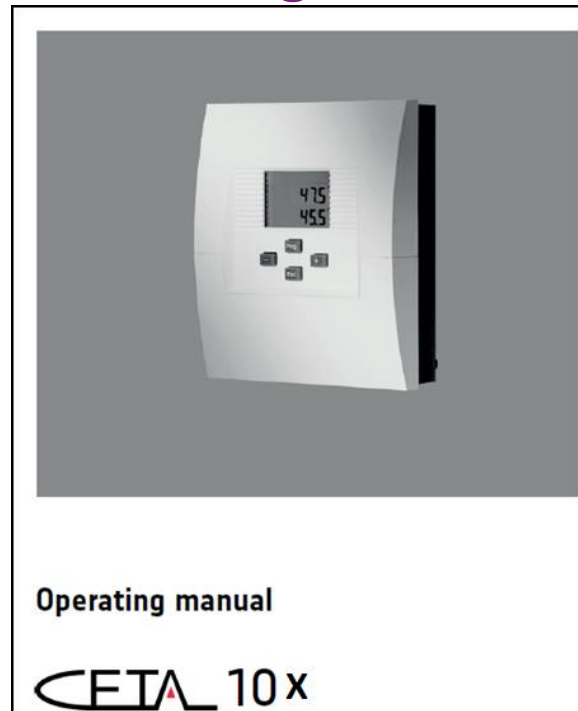


Control System CETA

Operating

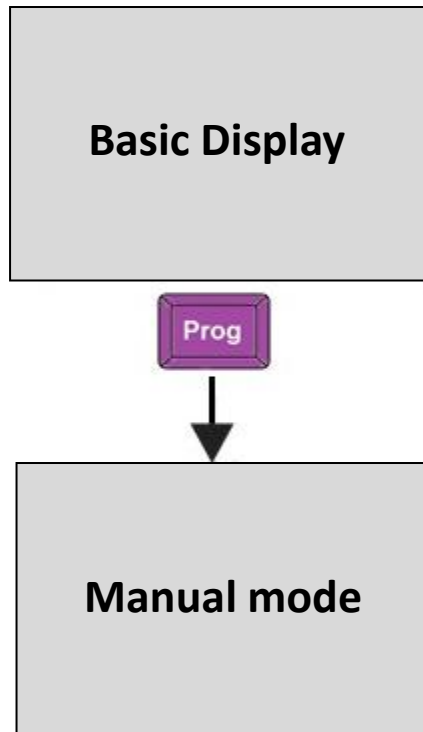
The availability of the individual menu levels, the parameters as well as the settings of the individual parameters can be found in the enclosed operating instructions.

Also to be found on
www.ebv-gmbh.com



Control System CETA

Operating - manual mode

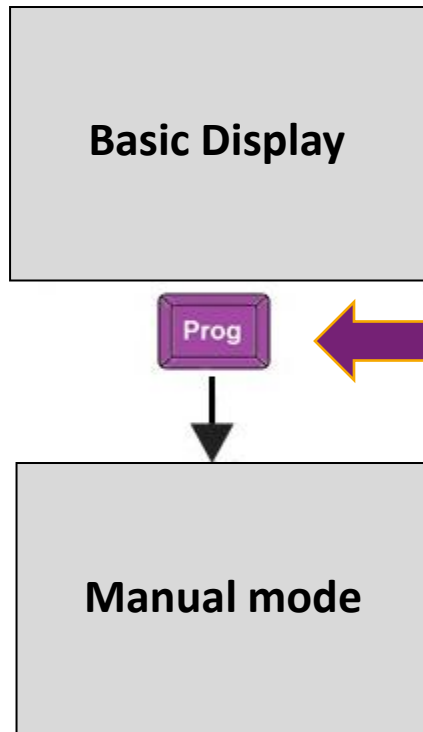


Each CETA control has the possibility to activate a manual mode.

The manual mode is individually adapted to the control function.

Control System CETA

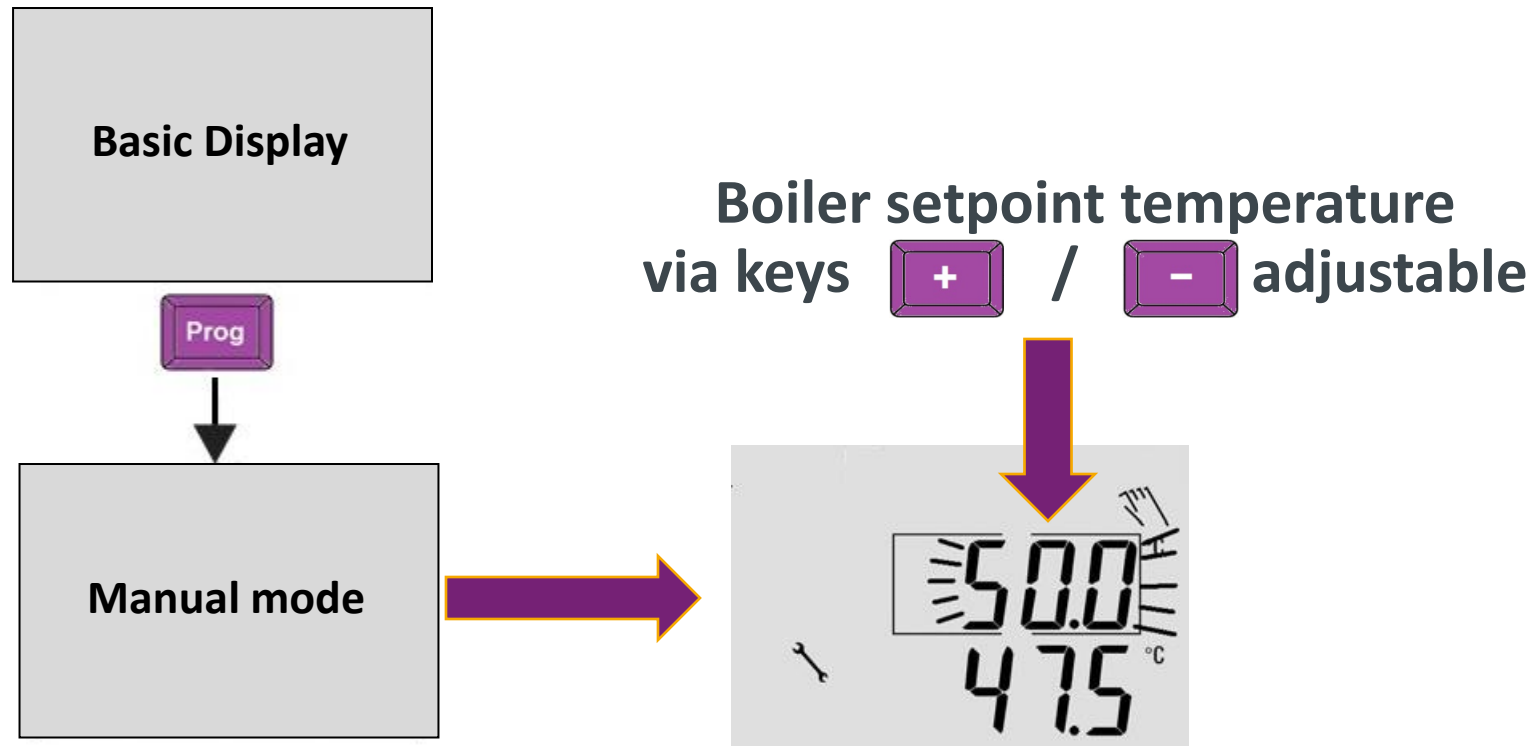
Operating – manual mode



From the basic display, press the "Prog" key for 3 seconds to activate manual mode.

Control system CETA

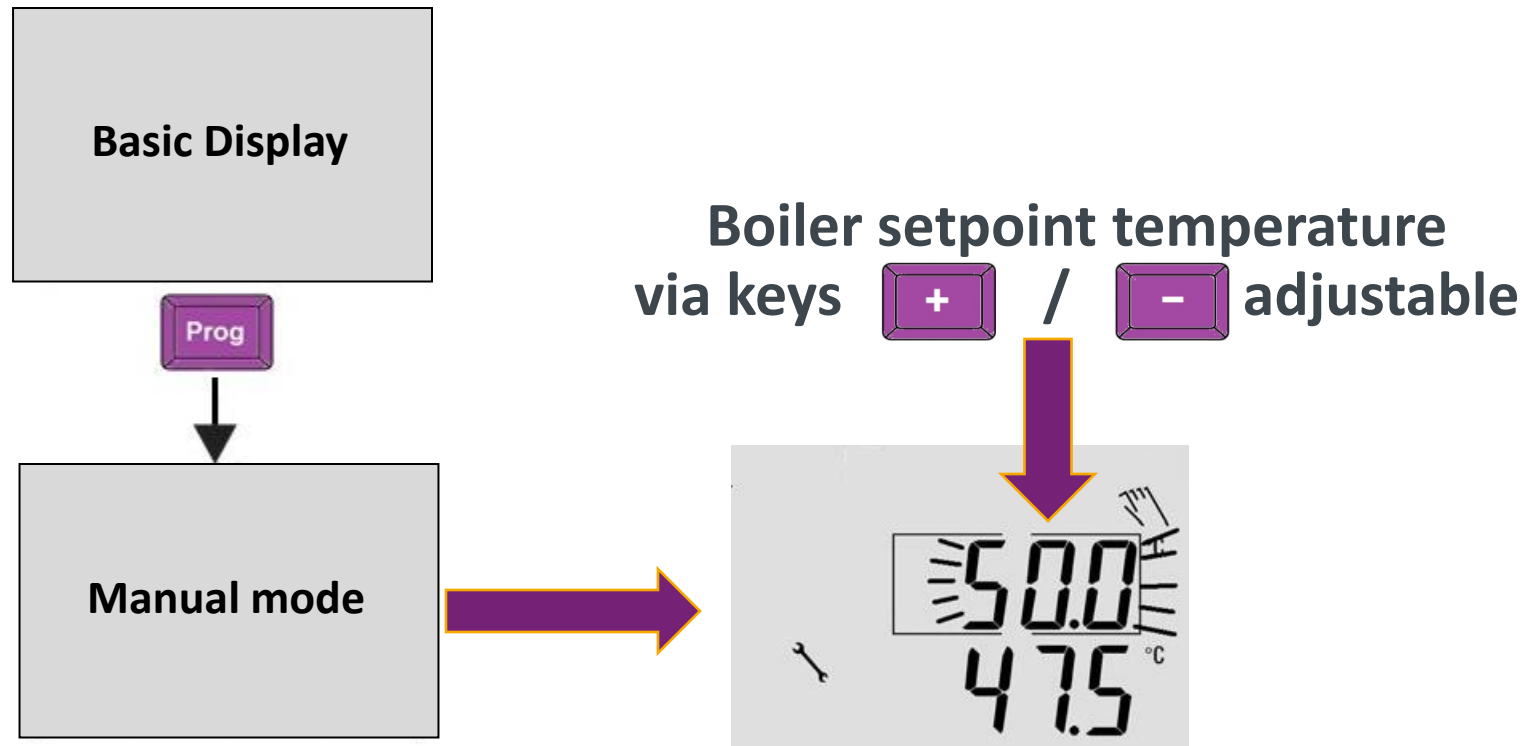
Operating - manual mode



- The heating circuit pump is in continuous operation
- The storage tank is charged to DHW-Maximum

Control system CETA

Operating - manual mode

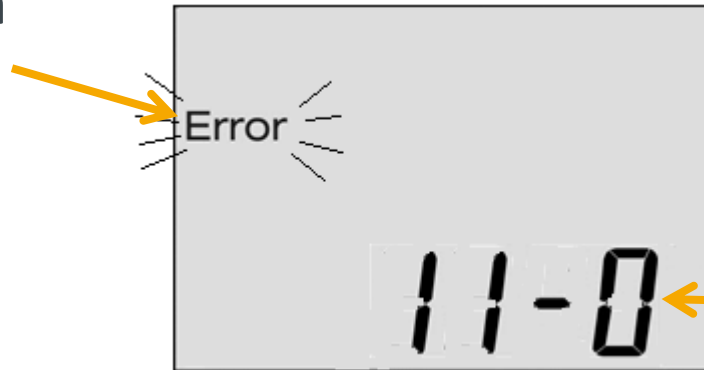


The key **Esc** is used to end manual operation.

Control system CETA

Error codes

„Error“ flashes in the display

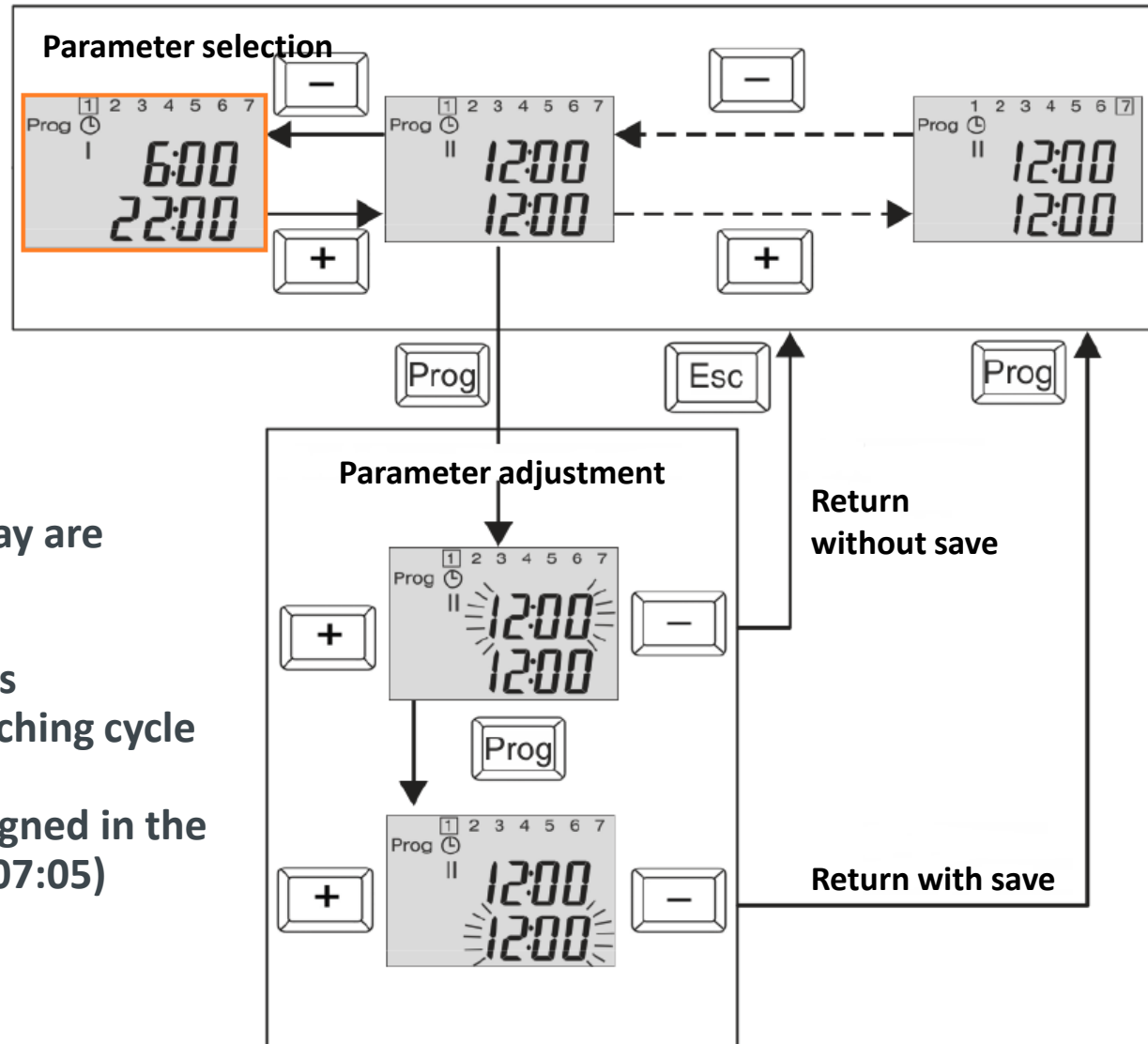


The error code is displayed alternately with the basic display.

Fehler Codes			
11-0	F1 Interruption	13-0	F3 Interruption
11-1	F1 Short circuit	13-1	F3 Short circuit
12-0	F2 Interruption	14-0	F4 Interruption
12-1	F2 Short circuit	14-1	F4 Short circuit
71-6	No OT signal	73-2	Adress collision
E-xx	Locking Errors -OT	b-xx	Blocking Errors -OT

Control system CETA

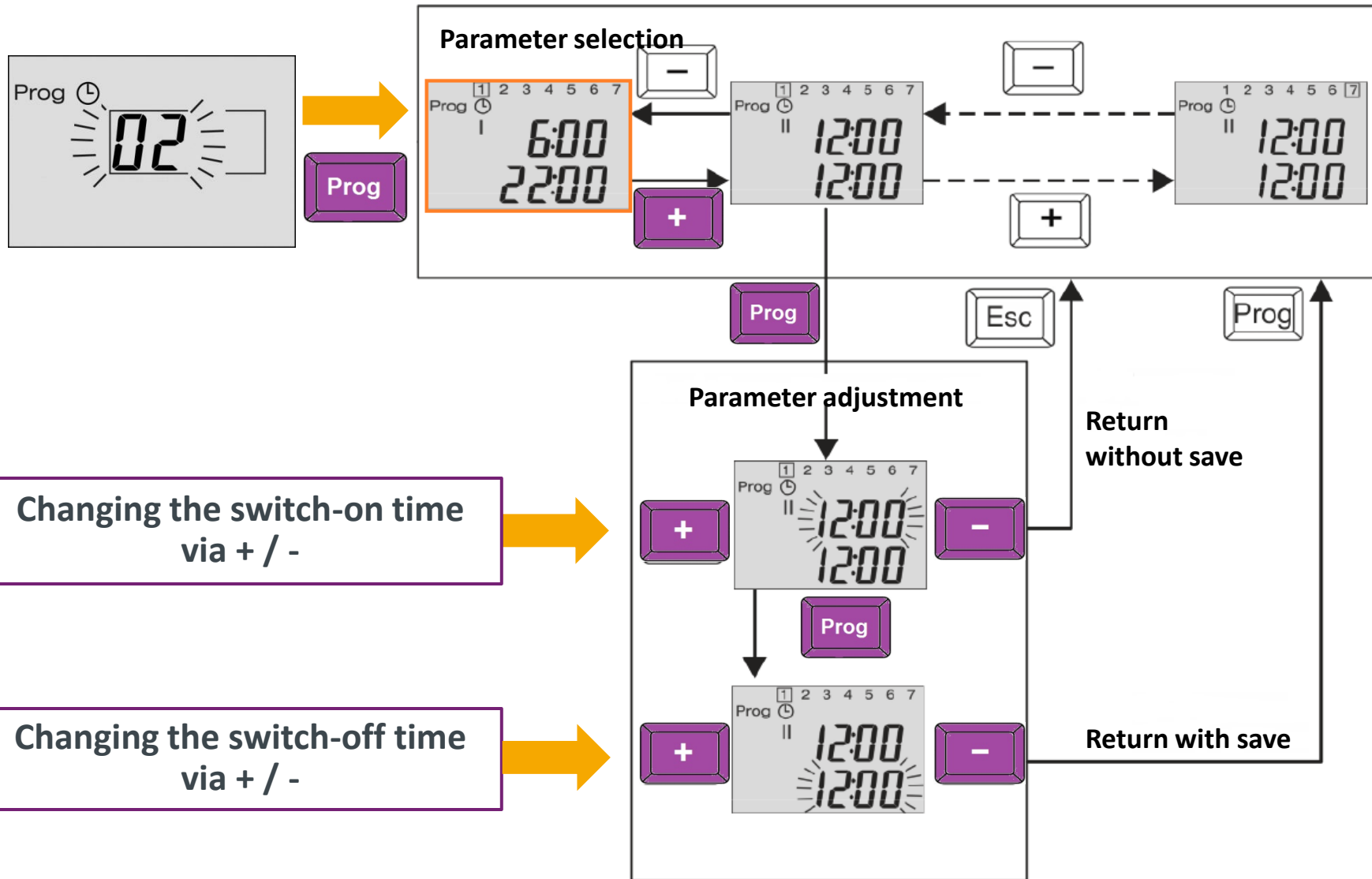
Menu 02 (Cycle times)



- 2 switching cycles per day are available
- Same on/off time means deactivation of the switching cycle
- Switching times are assigned in the HC/DHW menu (06:05/07:05)

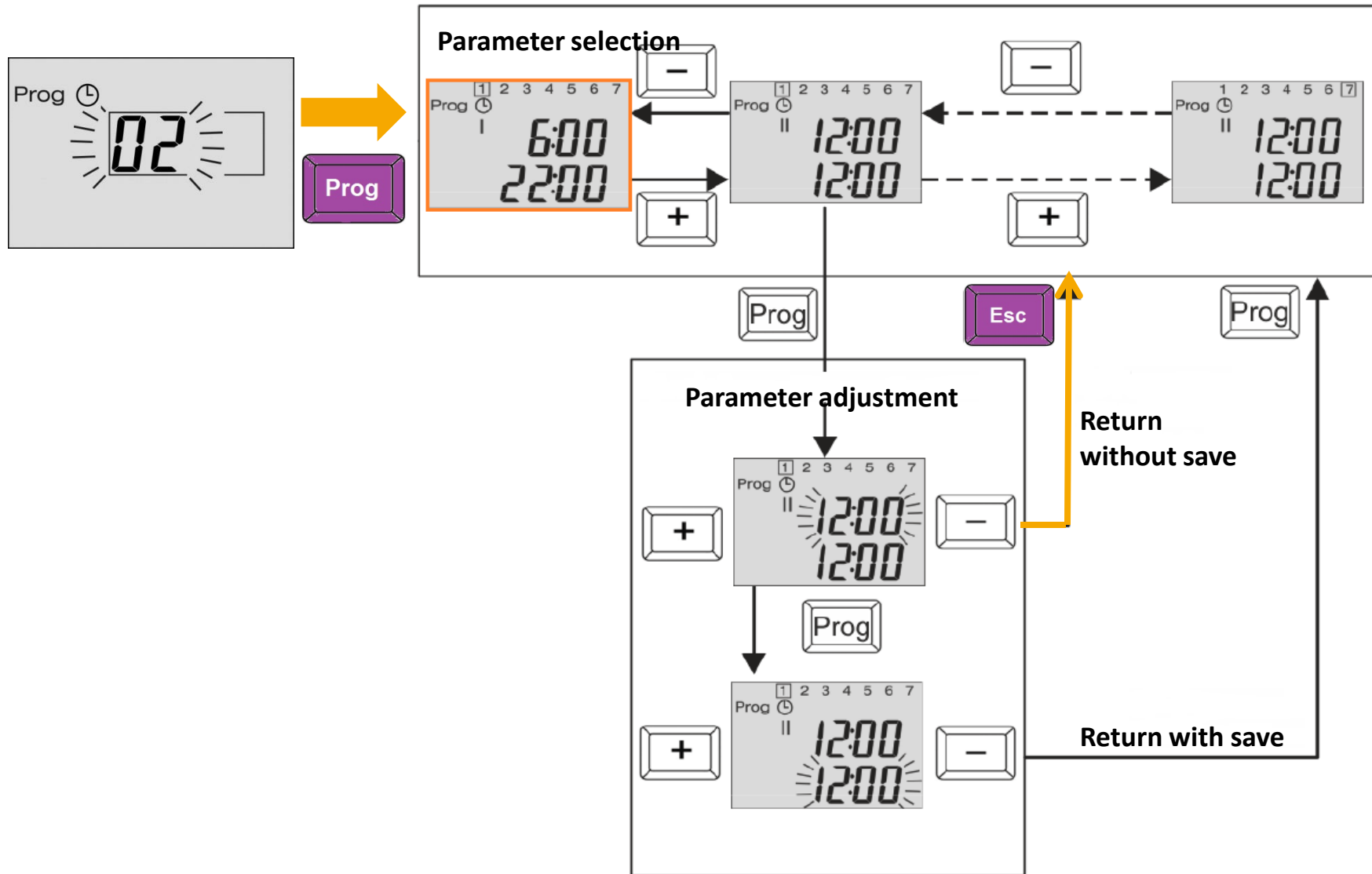
Control system CETA

Menu 02 (Cycle times)



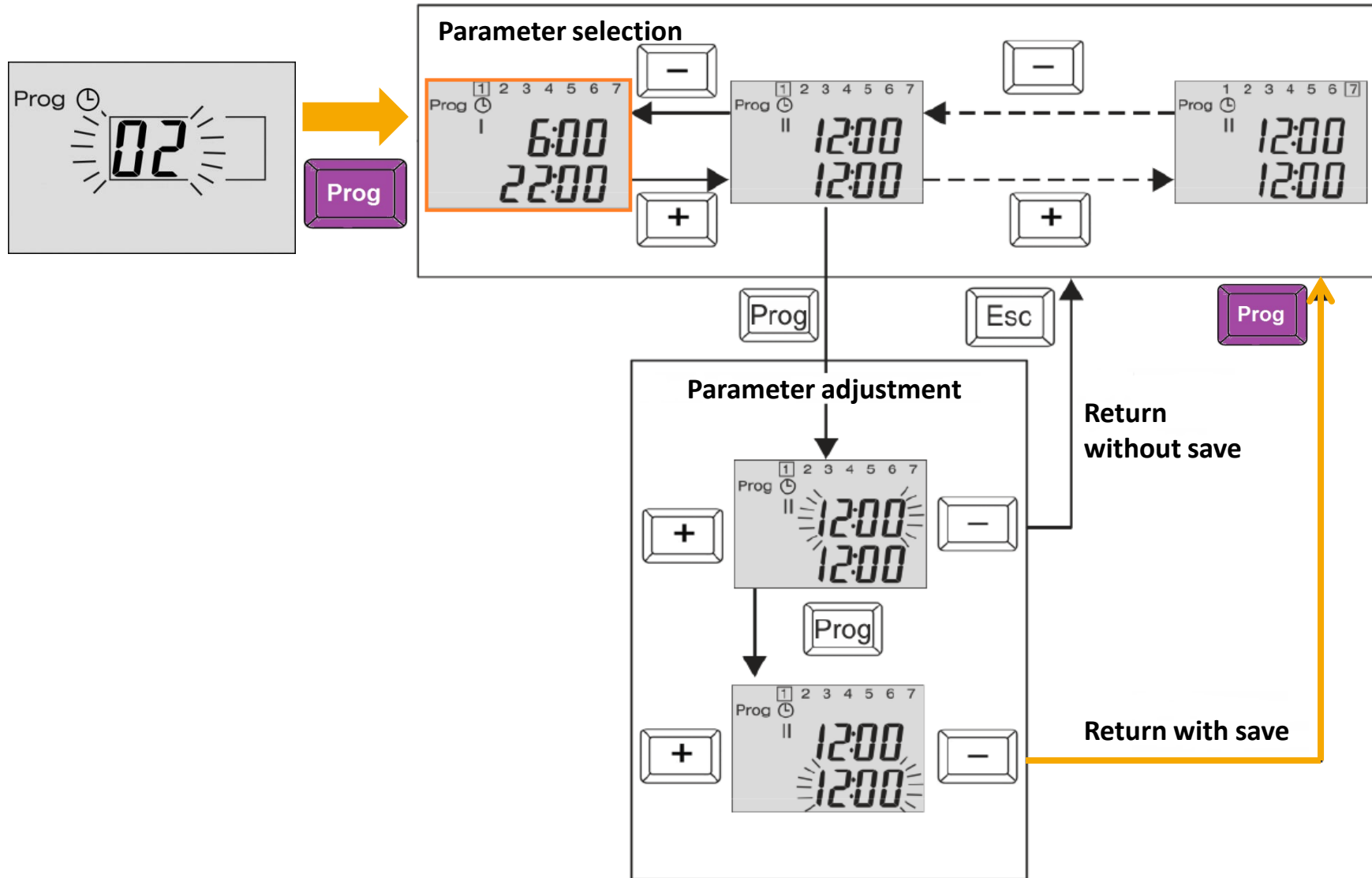
Control system CETA

Menu 02 (Cycle times)



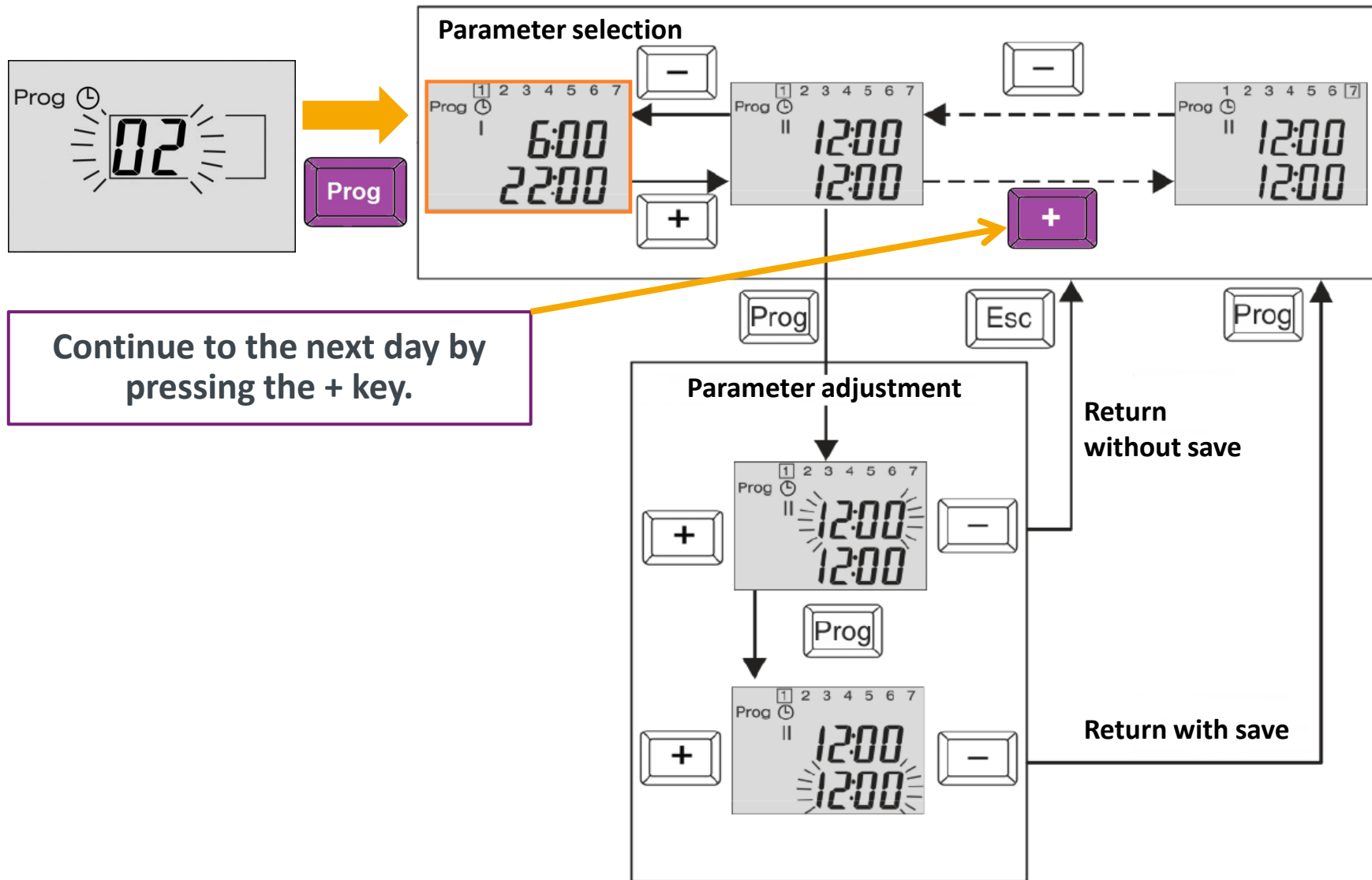
Control system CETA

Menu 02 (Cycle times)



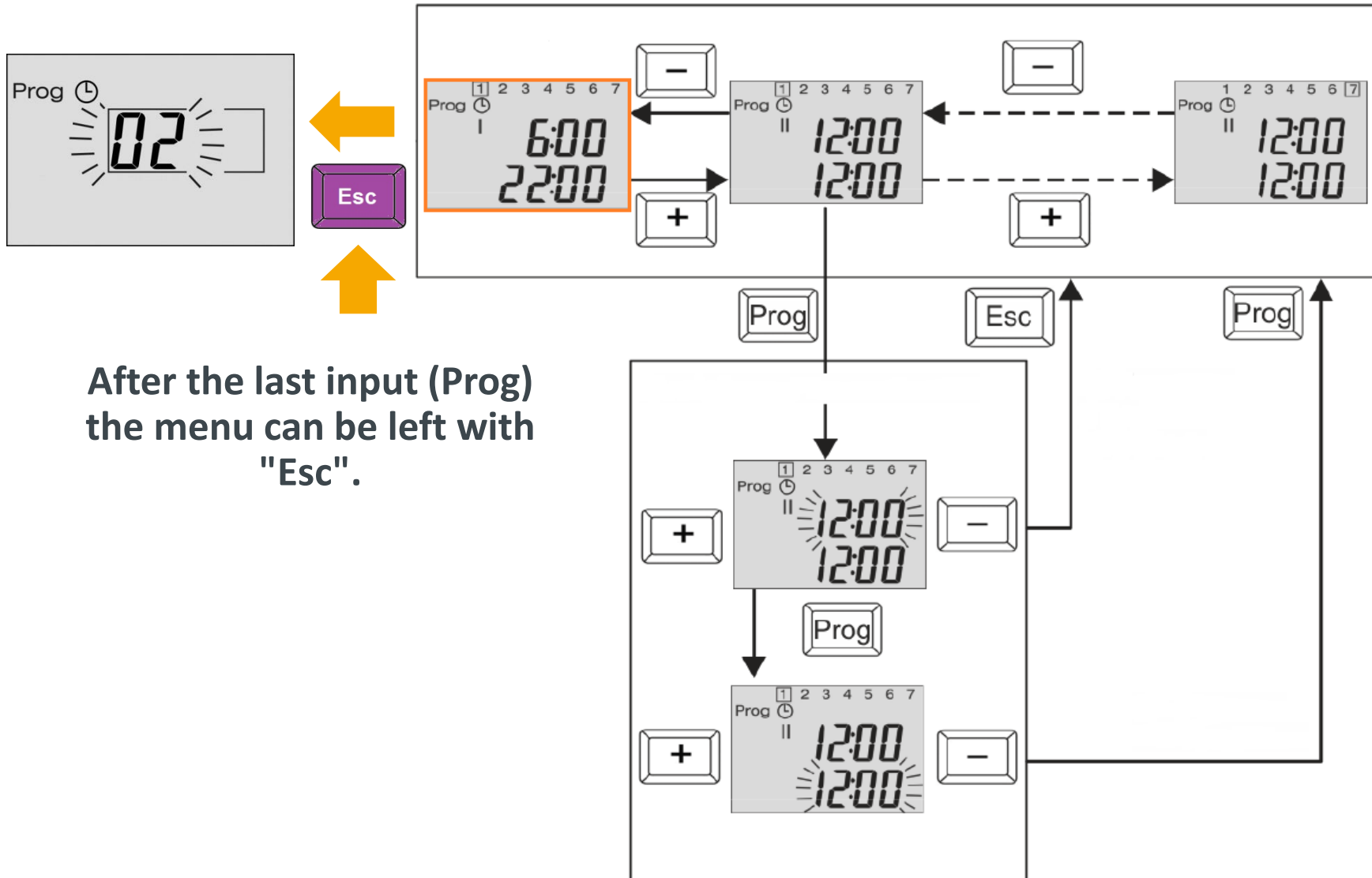
Control system CETA

Menu 02 (Cycle times)



Control system CETA

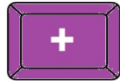
Menu 02 (Cycle times)



After the last input (Prog) the menu can be left with "Esc".

Control system CETA

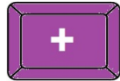
Menu 01 (INFO)



Display	Designation	Description	
03:01	Outdoor actual	Current outside temperature	
03:02	Outdoor long-term	Average long-term value of outside temperature. Depending on set building type (03:04), the value is averaged longer or shorter.	
03:03	Outdoor min	Minimum outside temperature value (0.00 to 24.00 h)	
03:04	Outdoor max	Maximum outside temperature value (0.00 to 24.00 h)	
04:01	Temperature heat generator	Actual temperature on heat generator sensor	
04:02	Setpoint heat generator	Setpoint temperature for heat generator	
04:03	Display status heat generator	0: Heat generator outlet is switched off 1: Heat generator outlet is switched on	
04:04	Starts Heat generator	Number of heat generator starts	
04:05	Operating hours Heat generator	Number of heat generator operating hours	
05:01	Temperature Return flow sensor	Actual temperature heat generator return	X5
05:02	Setpoint Modulation depth	Setpoint heat generator-modulation depth (only if system contains information)	X5
05:03	Actual value Modulation depth	Actual value heat generator-modulation depth (only if system contains information)	X5

Control system CETA

Menü 01 (INFO)



Display	Designation	Description	
05:04	Hydrau.press	Water pressure in heating system in bar (only if system contains information)	X5
05:05	Flue gas temperature	Flue gas temperature of heat generator (only if system contains information)	X5
06:01	Display heating circuit pump	0: Heating circuit pump is switched off 1: Heating circuit pump is switched on	
06:04	Flow heating circuit setpoint	Flow setpoint temperature for heating circuit	
06:05	Room actual	Actual temperature in room	X4
06:06	Room setpoint	Room setpoint temperature for heating circuit	
07:01	Display DHW charging pump	0: Pump is switched off 1: Pump is switched on	
07:02	DHW actual value	Sensor mode: Actual temperature on DHW sensor Thermostat mode: 0 = Input open 1 = Input closed	
07:03	DHW setpoint	Setpoint temperature for DHW tank	

Do you have any questions?

You can reach our support by e-mail to
support@ebv-gmbh.de

